

VIA DANTE

Thermostatic shower system – 3 functions

#91084



Uniplex T .2.3 1/2" thermostatic valve with diverter 2 or 3 way



FEATURES

- Solid brass
- German made cartridges (diverter cartridge not included)
- Service check valves / stop valves
- Optional top outlet 1/2" NPT
- Reversible service check valves with / stop valves
- Diverter test cap
- 1/2" female water inlets/outlets - NPT/sweat
- Flow rate: 6.5 gpm (24.6 L/min)

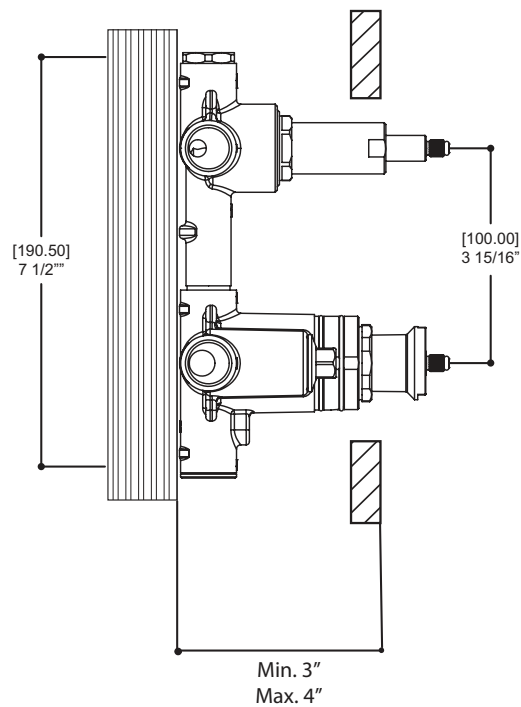
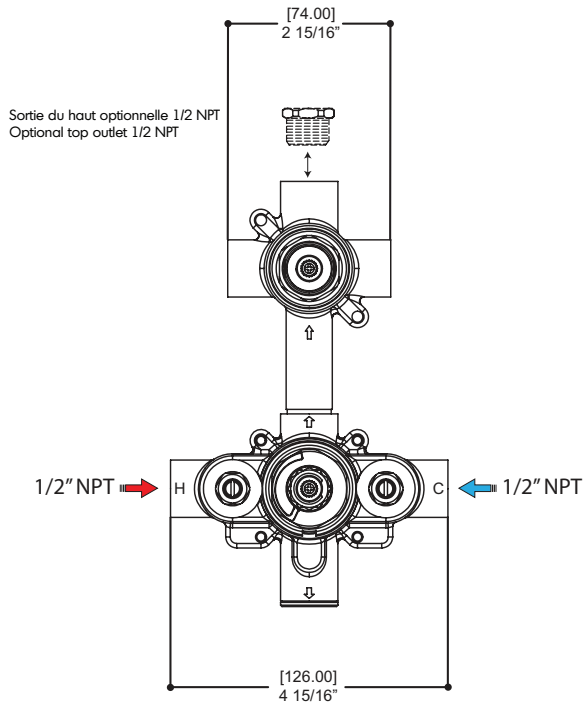
FINISH

Polished chrome (pc)

WARRANTY

Limited lifetime warranty on all cartridges and also on the polished chrome finish. All other components and parts carry a limited five-year warranty.

CODE & COMPLIANCE



VIA-DANTE

30893-30883

thermostatic valve trim kit with diverter for #90801



FEATURES

Rectangular trim
 Single temperature control
 Safety temperature stop, preset at 38 C
 German made diverter cartridge included (3-way shared #30893 or non-shared #30883)
 Handles included
 Thermostatic valve Uniplex T.2.3 not included

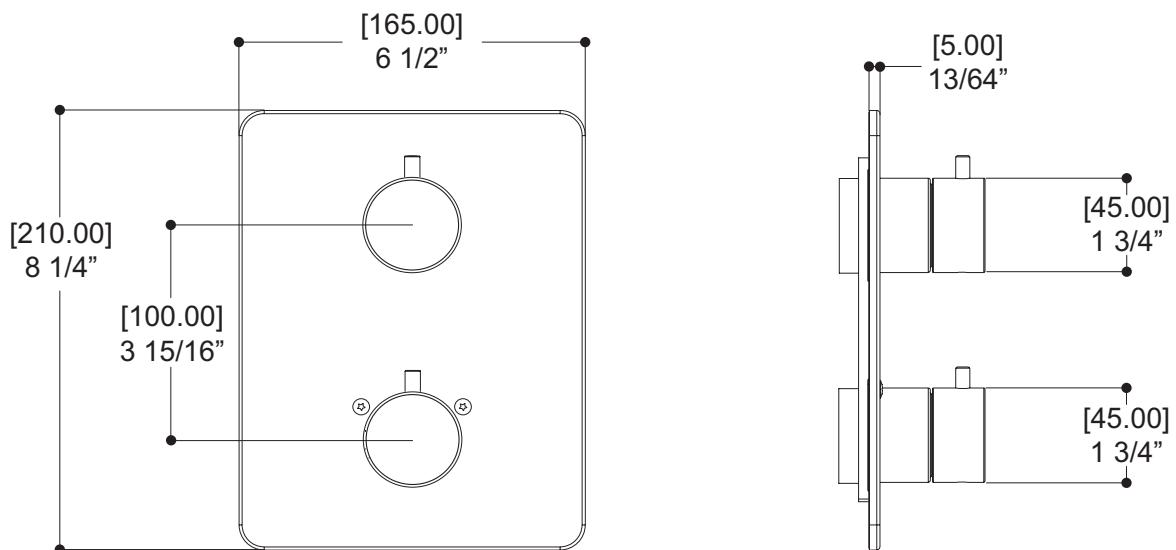
FINISH

Polished chrome (pc)

WARRANTY

limited lifetime warranty on all cartridges and also on the polished chrome finish. All other components and parts carry a limited five-year warranty.

CODE & COMPLIANCE



ROUND ARM # 90768



FEATURES

- 16" round arm (wall installation)
- Solid brass
- Round flange
- 1/2" female water inlet - NPT

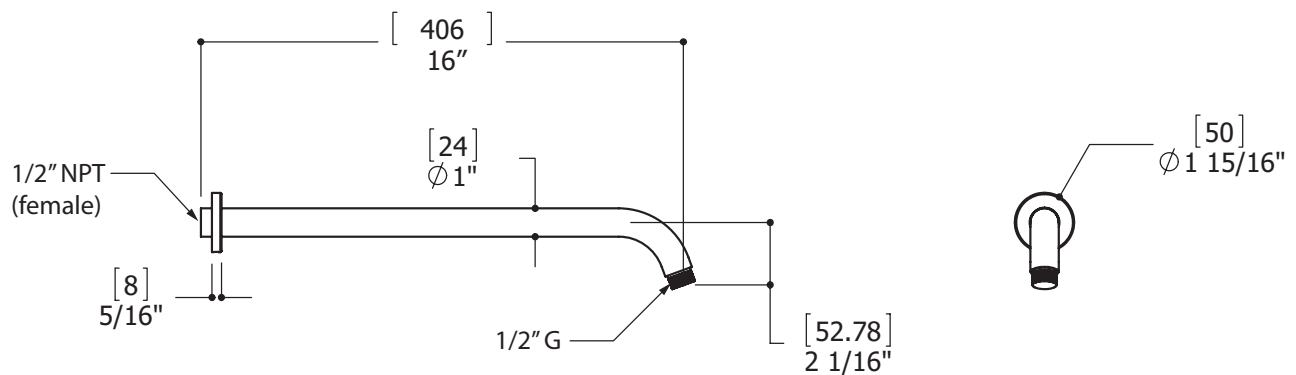
FINISH

Polished chrome (pc)

WARRANTY

limited lifetime warranty on the polished chrome finish. All other components and parts carry a limited five-year warranty.

CODE & COMPLIANCE



4" SHOWER ARM

90858



FEATURES

4" arm (ceiling installation)
 Solid brass
Round flange
 1/2" female water inlet - NPT

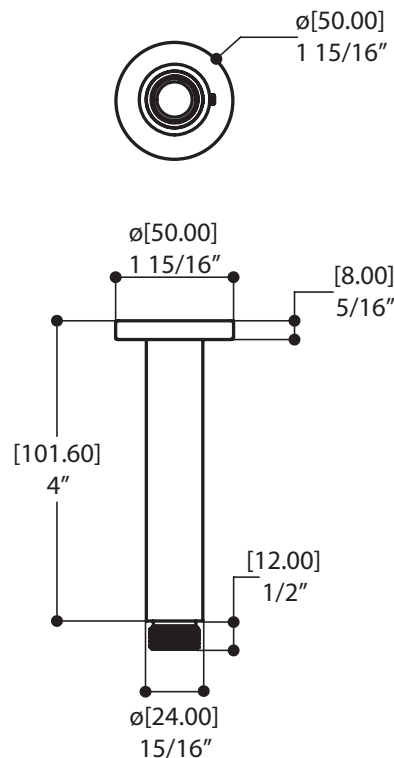
FINISH

Polished chrome (pc)

WARRANTY

limited lifetime warranty on the polished chrome finish. All other components and parts carry a limited five-year warranty.

CODE & COMPLIANCE



TÊTE DE PLUIE DE 9" # 90813



CARACTÉRISTIQUES

Tête de pluie ronde, à jet simple
Joint à rotule pivotante
Débit réduit économisant l'eau : 1.75 gpm (7.5 L/min)

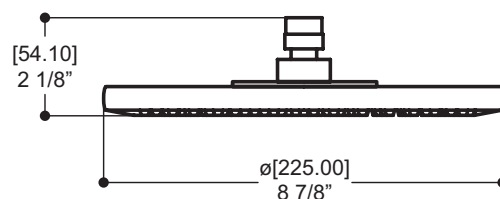
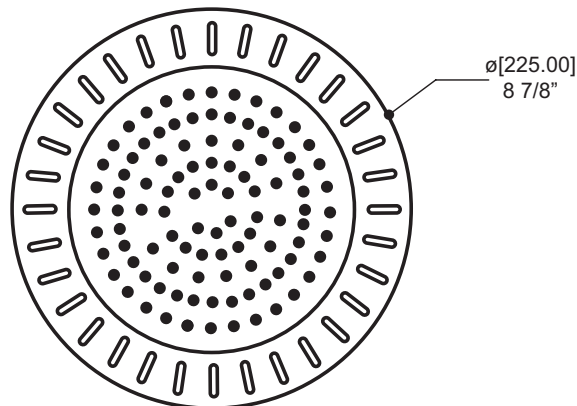
FINIS

Chrome poli (pc)

GARANTIE

Garantie limitée à vie sur le fini en chrome poli. Toutes les autres composantes ont une garantie limitée de cinq (5) ans.

CODE & CONFORMITÉ





ROUND SHOWER RAIL

90840



FEATURES

- 31.5" stainless steel round rail with adjustable handshower support
- Top pivot position adaptable (up to 29 1/2" CC)
- Triple function round handshower (rain, massage, mist)
- 5' double interlock flexible hose, anti-torsion
- Reduced water-efficient flow: 1.75 gpm (7.5 L/min)

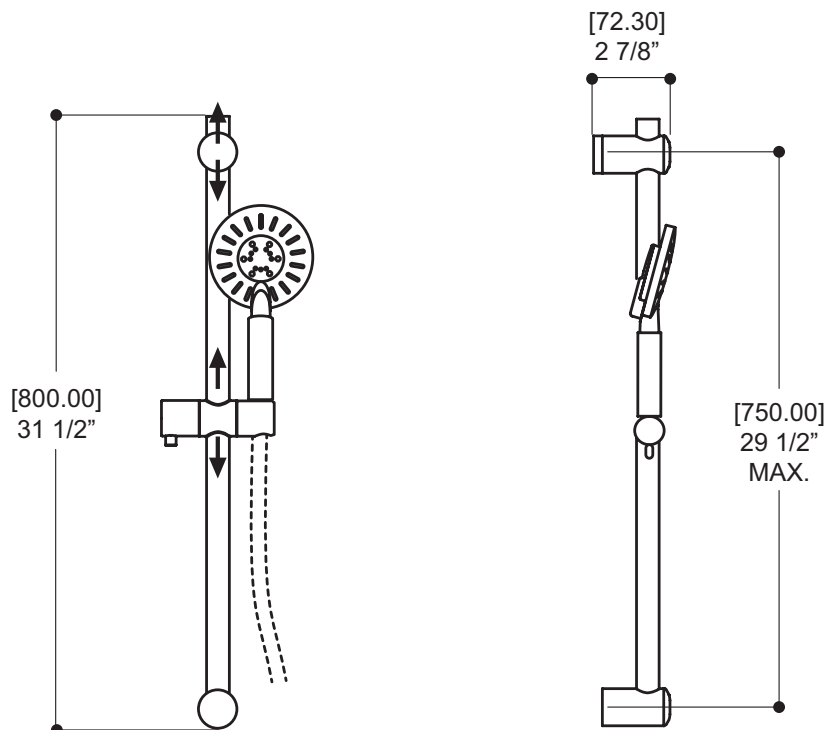
FINISH

Polished chrome (pc)

WARRANTY

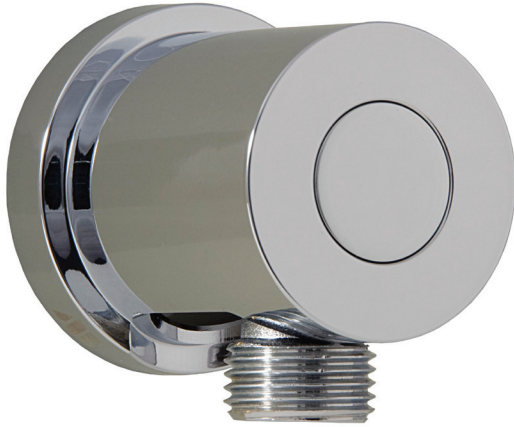
limited lifetime warranty on the polished chrome finish. All other components and parts carry a limited five-year warranty.

CODE & COMPLIANCE



ADJUSTABLE WATERWAY

90734



FEATURES

Innovative 5/8" trim adjustment system to elbow installation
 1/2" female water inlet - NPT

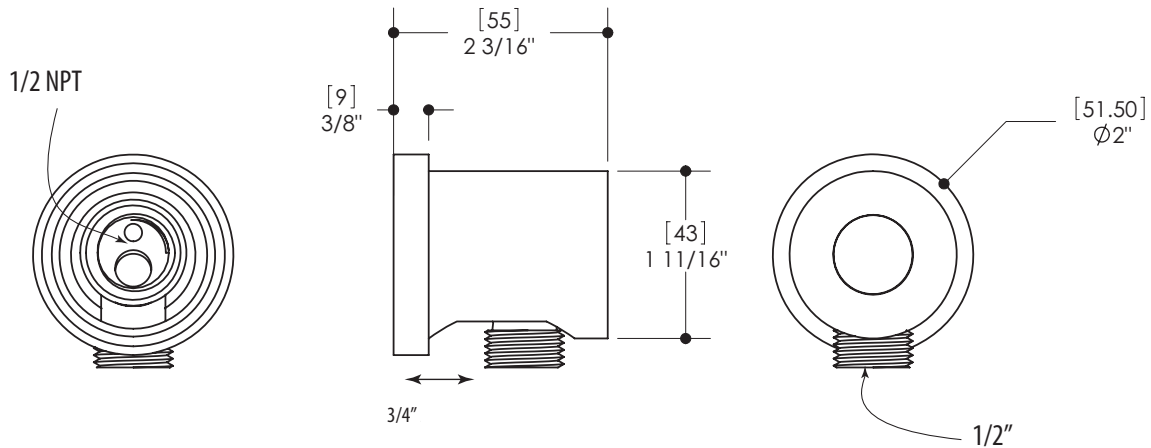
FINISH

Polished chrome (pc)

WARRANTY

limited lifetime warranty on the polished chrome finish. All other components and parts carry a limited five-year warranty.

CODE & COMPLIANCE



ROUND BODY JET # 90890



FEATURES

Round pivoting body jet, single spray
 1/2" female inlet - NPT (+1 closed nipple included)
 1.5 gpm (5.6 L/min)

FINISH

Polished chrome (pc)

WARRANTY

limited lifetime warranty on the polished chrome finish. All other components and parts carry a limited five-year warranty.

CODE & COMPLIANCE

