

## AXOR Edge

Thermostat for exposed/ concealed installation for 2 functions - diamond cut

Surfaces: **Chrome** Article Number: **46241000**



### Description

#### product features

- 2 outlets
- simultaneous use of several outlets
- Select push-button on/off control for 2 outlets
- maximum flow rate at 3 bar: 24.4 l/min
- flow rate at 3 bar: 24.4 l/min
- flow rate hand shower connection at 3 bar: 14 l/min
- thermostat cartridge
- min. operating pressure: 1 bar
- max. operating pressure: 10 bar
- safety lock at 40° C
- temperature limitation adjustable
- shelf made of safety glass
- shelf finish: frosted grey glass
- connection type: basic set
- connection dimension: DN15
- Thermostat is delivered with buttons hand shower and Rain large
- PA-IX 29574/IBB
- ACS 18 ACC LY 046, valide jusqu'au 24.01.2023

### Technology



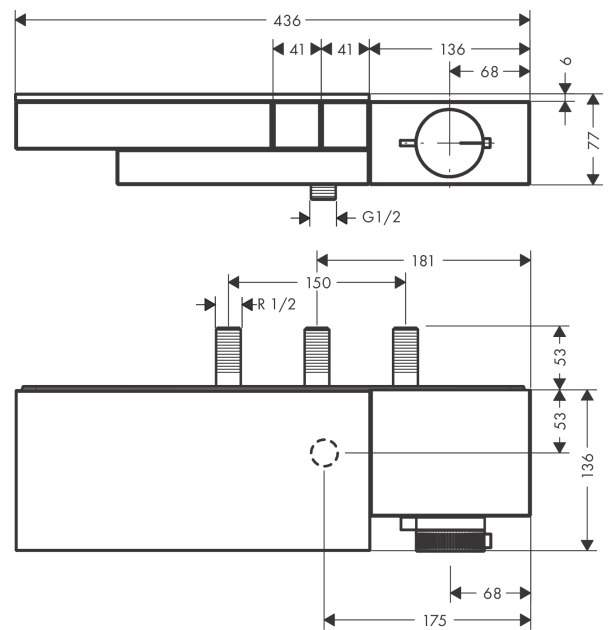
**AXOR Edge**  
**Thermostat for exposed/ concealed installation for 2 functions - diamond cut**  
 Surfaces: **Chrome** Article Number: **46241000**



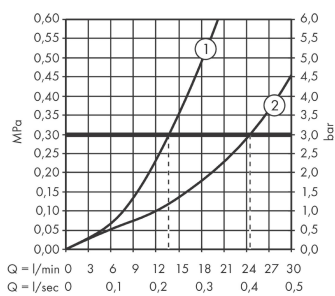
## Product image



## Scale drawing



## Flowchart



- ① Shower outlet with 1B-resistance
- ② Free flow

## AXOR Edge

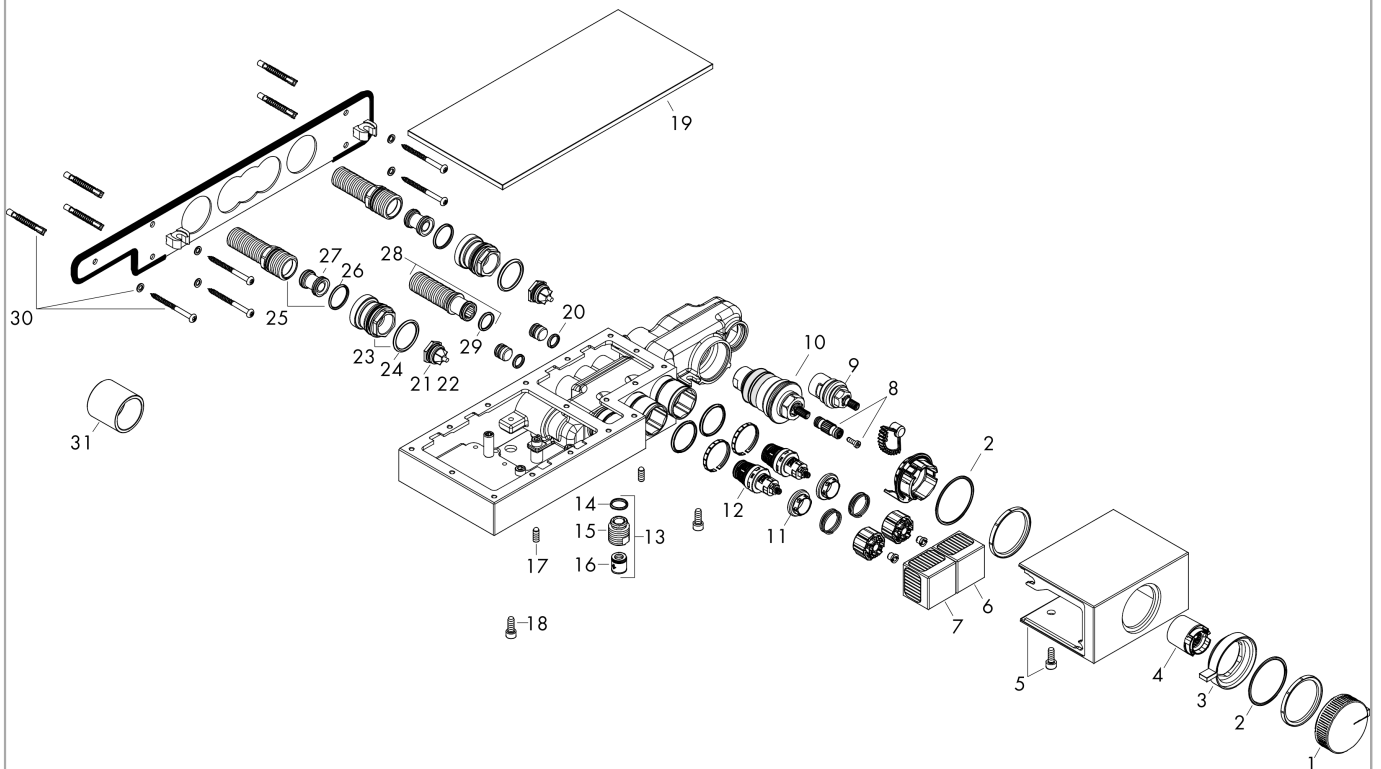
Thermostat for exposed/ concealed installation for 2 functions - diamond cut

Surfaces: **Chrome** Article Number: **46241000**



### Exploded Drawing

Year of production: >06/19



## AXOR Edge

Thermostat for exposed/ concealed installation for 2 functions - diamond cut

Surfaces: **Chrome** Article Number: **46241000**



### Spare part list

Year of production: >06/19

Pos.	Description	Article Number	PC	PU
1	handle for thermostat	93610000	0	1
2	O-Ring 50x2	98187000	0	1
3	handle	93614000	0	1
4	sleeve	93613000	0	1
5	cover	93615000	0	1
6	symbol handshower	93607000	0	1
7	symbol head shower Rain small	93608000	0	1
8	adapter for handle	93611000	0	1
9	shut off unit	98536000	0	1
10	thermostat cartridge	96633000	0	1
11	nut	98368000	0	1
12	shut off unit	95758000	0	1
13	Hose Connection	96044000	0	1
14	O-ring 14x2	98129000	0	1
15	connecting thread	95392000	0	1
16	set of non return valves DW 15	94074000	0	1
17	hollow set screw M6x16 including o-ring 29x3	98372000	0	1
18	hexagon socket screw M6x16	92857000	0	1
19	shelf	93616000	0	1
20	O-ring 11x2	98127000	0	1
21	non return valve (pressure-resistant up to 2 MPa)	95773000	0	1
22	O-ring 17x2	98199000	0	1
23	adapter for ball S - union	02026000	0	1
24	O-ring 29x3	98371000	0	1
25	set of connecting threads	93231000	0	1
26	O-ring 23x2	98398000	0	1
27	noise reduction	96429000	0	1
28	connecting thread	93232000	0	1
29	O-ring 15x2,5	98131000	0	1
30	mounting set	92841000	0	1
31	fit-up aid	93612000	0	1