

AXOR Edge

Thermostatic module **Select 470/100** for concealed installation for 2 functions

Surfaces: **Chrome** Article Number: **46700000**



Description

product features

- consists of: Thermostatic module, shower holder, baton hand shower, shower hose
- depending on volume flow and installation situation approx. 50% flow rate reduction and integrated shut off function
- 2 outlets
- simultaneous use of several outlets
- Select push-button on/off control for 2 outlets
- maximum flow rate at 3 bar: 34.5 l/min
- flow rate at 3 bar: 34.5 l/min
- flow rate hand shower connection at 3 bar: 14 l/min
- thermostat cartridge, Select valve
- min. operating pressure: 1 bar
- max. operating pressure: 10 bar
- safety lock at 40° C
- temperature limitation adjustable
- hose nut: for shower hoses with cylindrical nut on both sides
- connection type: basic set
- Thermostat is delivered with buttons hand shower and Rain large
- P-IX 29577/ICB
- ACS 18 ACC LY 046, valide jusqu'au 24.01.2023

Technology



AXOR Edge

Thermostatic module Select 470/100 for concealed installation for 2 functions

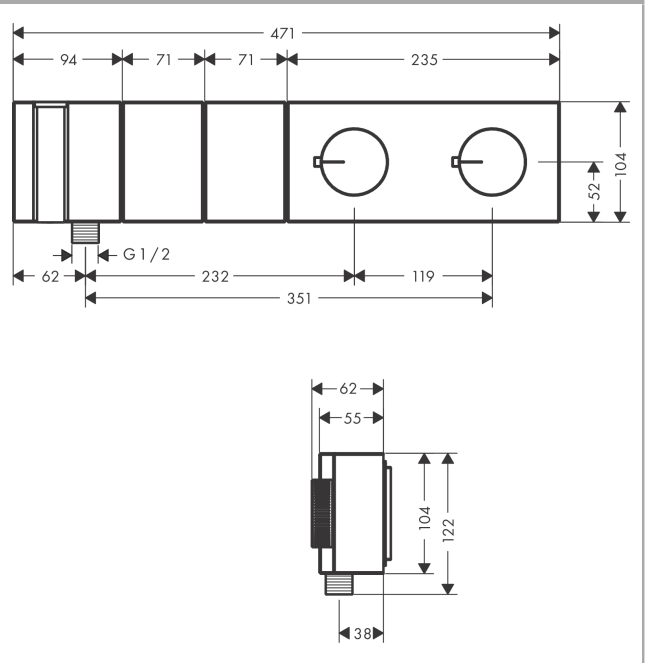
Surfaces: **Chrome** Article Number: **46700000**



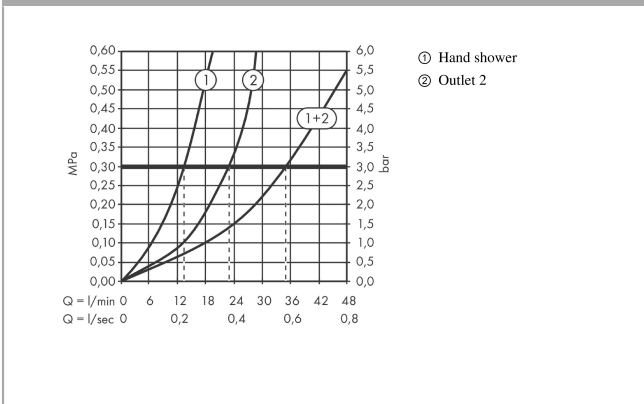
Product image



Scale drawing



Flowchart

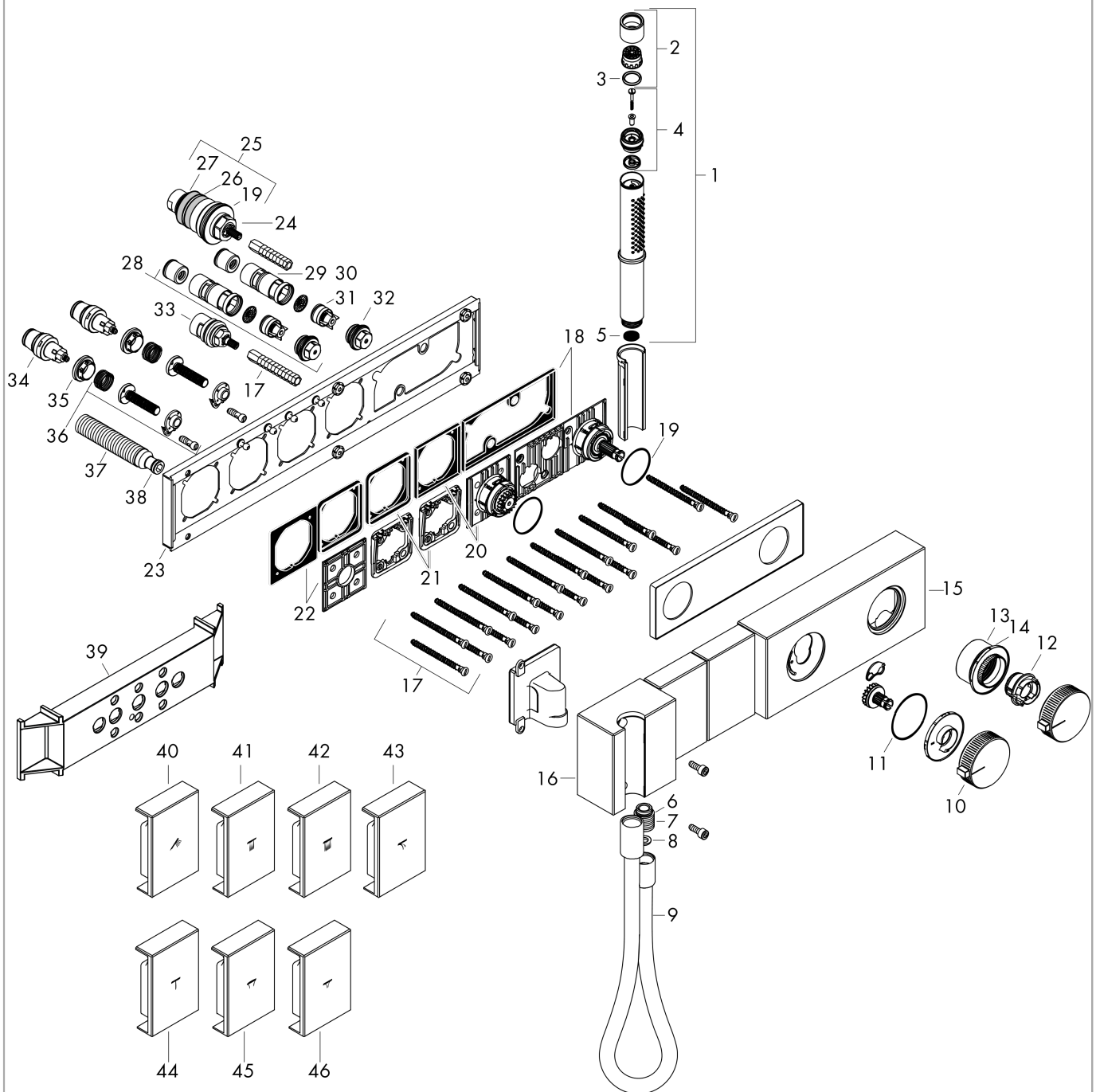


AXOR Edge
Thermostatic module Select 470/100 for concealed installation for 2 functions
 Surfaces: **Chrome** Article Number: **46700000**



Exploded Drawing

Year of production: >06/19



AXOR Edge

Thermostatic module Select 470/100 for concealed installation for 2 functions

Surfaces: **Chrome** Article Number: **46700000**



Spare part list

Year of production: >06/19

Pos.	Description	Article Number	PC	PU
1	handshower	95390000	0	1
2	spray former	95411000	0	1
3	O-Ring 14x2,5	98189000	0	1
4	selector assy	95511000	0	1
5	filter packing	94246000	0	1
6	O-ring 14x2	98129000	0	1
7	Hose Connection	96044000	0	1
8	seal	98058000	0	1
9	shower hose 1,25 m	28282000	0	1
10	handle for thermostat	93610000	0	1
11	O-Ring 50x2	98187000	0	1
12	safety set	93645000	0	1
13	nut	93648000	0	1
14	O-ring 43x1,5	98148000	0	1
15	cover	93644000	0	1
16	shower holder, assy	93646000	0	1
17	mounting kit	93102000	0	1
18	adapter for handle	93109000	0	1
19	O-ring 38x2,5	98198000	0	1
20	adapter for handle	93643000	0	1
21	support element	93111000	0	1
22	support element	93642000	0	1
23	escutcheon	93631000	0	1
24	thermostat cartridge	96633000	0	1
25	sealing set	96636000	0	1
26	O-ring 34x2	98383000	0	1
27	O-ring 26x2	98147000	0	1
28	service unit	93406000	0	1
29	O-ring 20x1,5	98197000	0	1
30	filter	97367000	0	1
31	non return valve	96655000	0	1
32	O-ring 20x2	98165000	0	1
33	shut off unit	98536000	0	1
34	shut off unit	95758000	0	1

AXOR Edge
Thermostatic module Select 470/100 for concealed installation for 2 functions
 Surfaces: **Chrome** Article Number: **46700000**



Spare part list

Year of production: >06/19

Pos.	Description	Article Number	PC	PU
35	nut	98368000	0	1
36	Select-adapter	93103000	0	1
37	connecting thread G½	98933000	0	1
38	O-ring 11x2	98127000	0	1
39	fit-up aid	92540000	0	1
40	symbol handshower	93635000	0	1
41	symbol head shower Rain small	93636000	0	1
42	symbol head shower Rain large	93641000	0	1
43	symbol Flood jet	93640000	0	1
44	symbol Mono	93639000	0	1
45	symbol PowderRain outside	93637000	0	1
46	symbol PowderRain inside	93638000	0	1
a	concealed item	18310180	0	1