



4-way Type T/P 3/4" coaxial complete valve
CSTM83XX



Specifications

Descriptions

- 2 integrated volume controls
- 2 thermo/pressure balance coaxial cartridges with check valves
- Service valves
- 2 different temperatures
- 4 outlets: two 1/2" outlets male NPT and two 3/4" outlets male NPT or 1/2" female NPT
- 3/4" inlet male NPT, dedicated main water supply required

Available colors

- BN : Brushed nickel (PVD)

Available flow

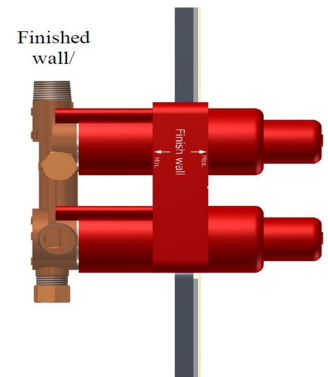
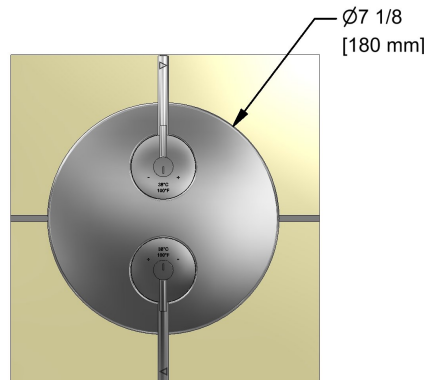
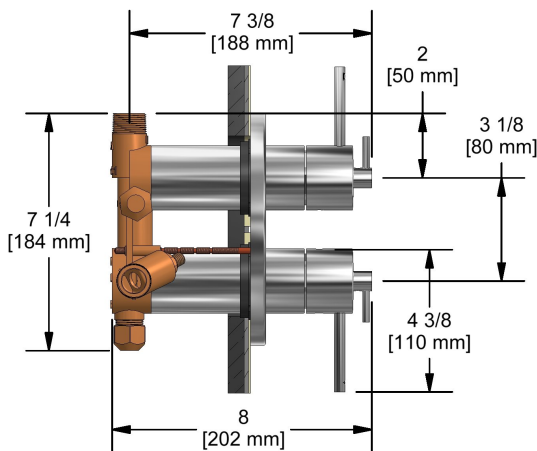
- 76 L/min, 20 gpm (US) 60psi

Cartridge

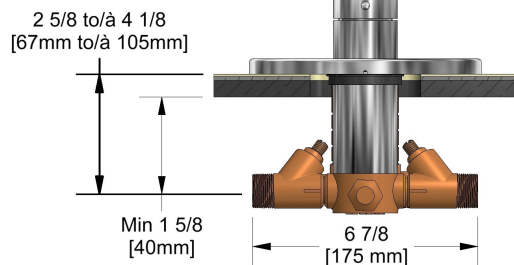
- 0943

Certifications

- CSA B125.1
- ASME A112.18.1
- ASSE 1016
- CMR248 Approval
- ADA



Wall template cut out, finished wall /
 Gabarit de mur pour découpage, mur fini



Sizes, models and finishes may differ from those presented.

Warranty

This Riobel Inc. product you have purchased carries a **Limited lifetime warranty on the chrome, PVD finished and all working parts** and is guaranteed from the initial purchase date against all **manufacturing defects**. All other finishes including plastic component are guaranteed for one year. All electric and/or electronic parts are covered by a 1-year limited warranty.

Customer Service

Ontario, West Canada : 888-287-5354 Quebec, Maritimes, United States : 866-473-8442