

Petra 6 Counter-Sink (#806)

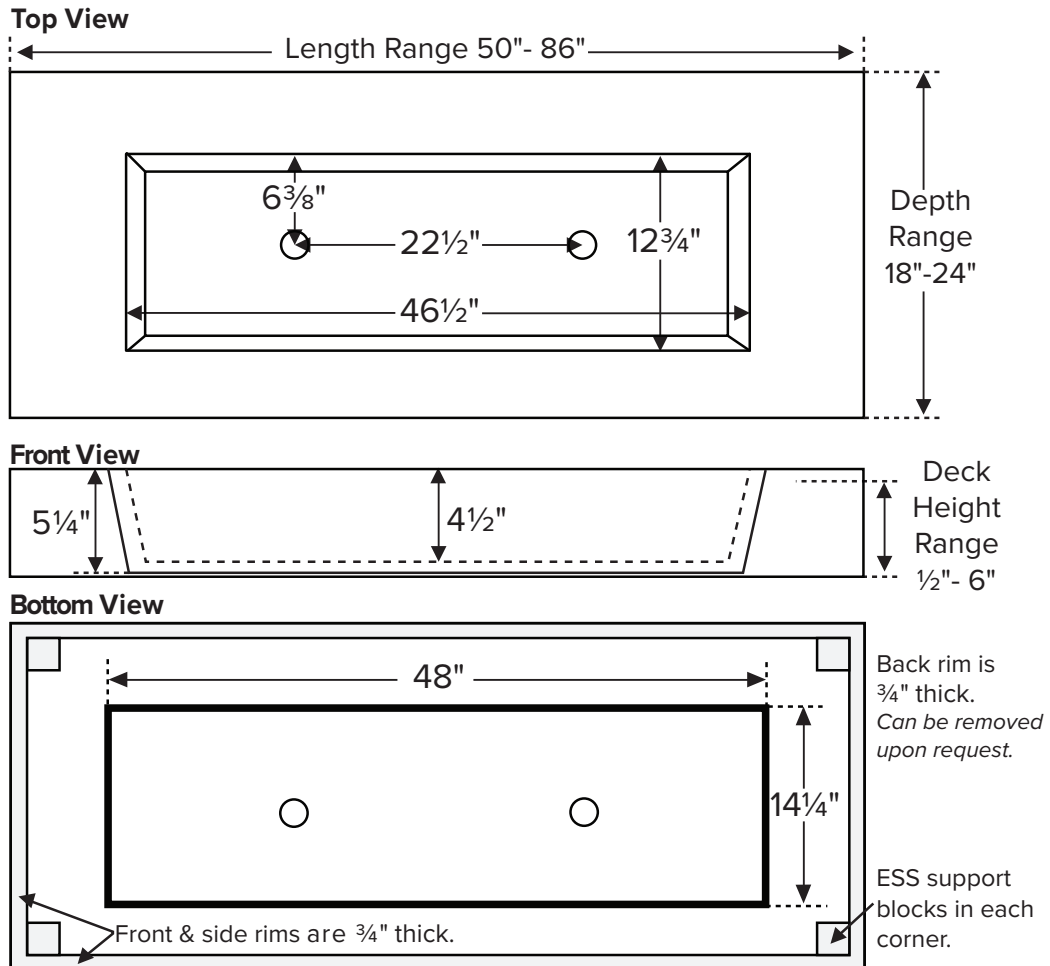
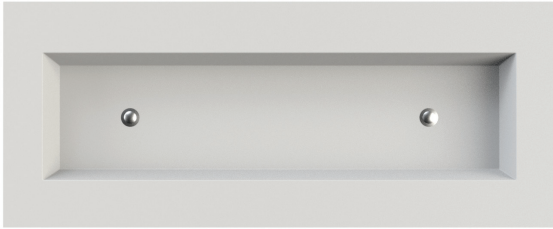
46.5" x 12.75"

GENERAL SPECIFICATIONS:

Material - SculptureStone®

Installation - Vanity or Wall Mount

NOTE: Bowl dimensions shown above.
Counter-top size is custom.



IMPORTANT ORDERING & INSTALLATION INFORMATION:

- Due to the handcrafted nature of this product, please allow for a tolerance of ±1/4" for overall dimensions and ±1/2" for bowl placement.
- Corner support blocks are necessary only when deck height is over 1".
- All four sides will be finished standard, unless it is a wall mount, or requested otherwise.
- Carefully review inside vanity specifications to ensure that there is proper clearance to accommodate the bowl, drain and optional integrated overflow, if applicable.
- Please take into consideration the thickness of material under the countertop when positioning sink bowl, using a deck-mounted faucet or adding an integrated overflow.
- Outside of overflow housing protrudes approx. 3/4" from the bowl and may impact bowl placement.

See the "Boutique Collection Counter-Sink Installation & Operation Manual" included with delivery or go to: mtibaths.com/support/installation for all the information necessary to install the sink. MTI's Customer Service Department is available Monday-Friday 8am-6pm EST at 800-783-8827 or customerservice@mtibaths.com to answer any questions pertaining to ordering or installation.

