



Features integral front skirting, armrests & tile flange on 3 sides.

MBIS7236

Integral-Skirted Tub

72.25" x 36.25" x 21"

Installation: Alcove

GENERAL SPECIFICATIONS:

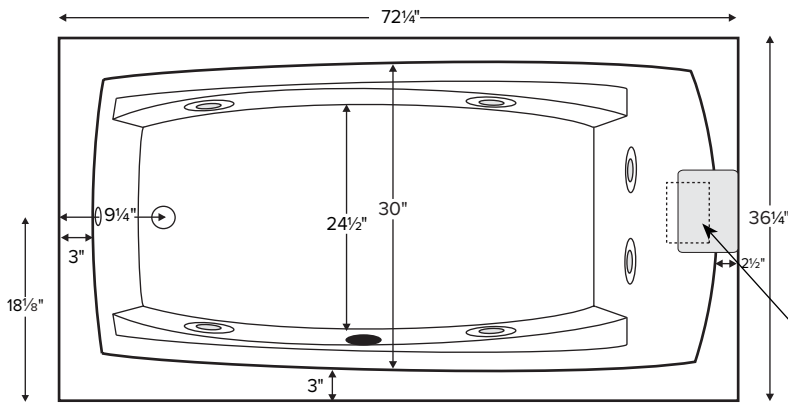
MaterialAcrylic
Plumbed Weight 150 lbs / 68 kg
Soaker Weight 125 lbs / 57 kg
Average Fill 45 gal to above jet level
Maximum Fill 90 gal to overflow

NOTE: Filling this tub to the maximum may require an above average size or dedicated water heater.

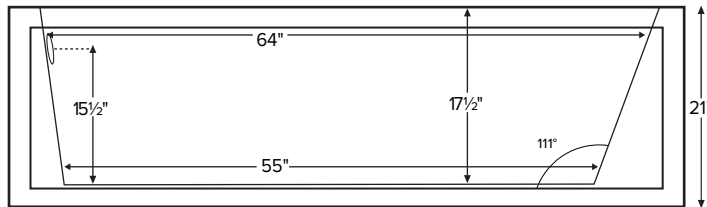
ELECTRICAL SPECIFICATIONS:

Required Electrical Service 110 Volt
Air Bath or Whirlpool 1-15 amp GFCI
Whirlpool with Inline Heater 1-15 amp GFCI
Soaker with Inline Heater 1-15 amp GFCI
Air Bath with Inline Heater 2-15 amp GFCI

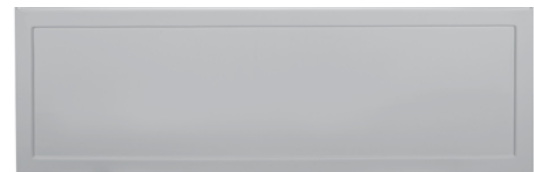
CSA Certified C/US; ANSI Z124.1 for plastic tubs and ANSI 112.19.7 for whirlpool components.



Shown with Whirlpool Package.



Available with left- or right-hand drain location.
 Must specify on order.



front view of tub with non-removable front panel*
 *Note: when ordered with an air bath or whirlpool, panel is removable.

PACKAGES AND OPTIONS

Hydrotherapy Package	Package Contents	Part #
Soaker	soaking bath - no jets; integral front skirting, 3-sided integral tile flange, textured bottom, pre-leveled foam base	MBSIS7236
Whirlpool	6 point-massage jets, 1-bhp pump, integral front skirting, 3-sided integral tile flange, textured bottom, pre-leveled foam base	MBWIS7236
Air Bath	12 air jets, heated air blower, integral front skirting, 3-sided integral tile flange, textured bottom, pre-leveled foam base	MBAIS7236

OPTIONS

Standard Colors - White

Color Upgrade - Biscuit (MTISCOLOR)

Quick Ship - reduces lead time - call for availability

Inline Heater - Whirlpool (HTRMTIS)

Inline Heater with Pump - Soaker or Air Bath (MBHTISOAK)

Lift & Turn Drain Kit -

Chrome (MBWOC); Brushed Nickel (MBWOBN), White (MBWOW)

IMPORTANT INFORMATION

- Before ordering or installing, please consider future access to equipment.
- Jet, pump & blower locations are predetermined and cannot be changed.
- Suction and control locations may vary.
- Options listed cannot be combined with Designer Collection options.
- Specifications and configurations are subject to change without notice.
- Measurements are ±1/2" and are subject to change without notice.
- Measurements herein supersede all others published prior to publication date shown below.

