



3-way Type T/P coaxial complete valve
VY45XX



Specifications

Descriptions

- Three 1/2" outlets male NPT or sweat
- 6 positions (OFF, 1, 1 and 2, 2, 2 and 3, 3)
- Thermostatic/pressure balance coaxial cartridge with check valves
- Service valves
- 1/2" inlet male NPT or sweat

Available colors

- C : Chrome

Available flow

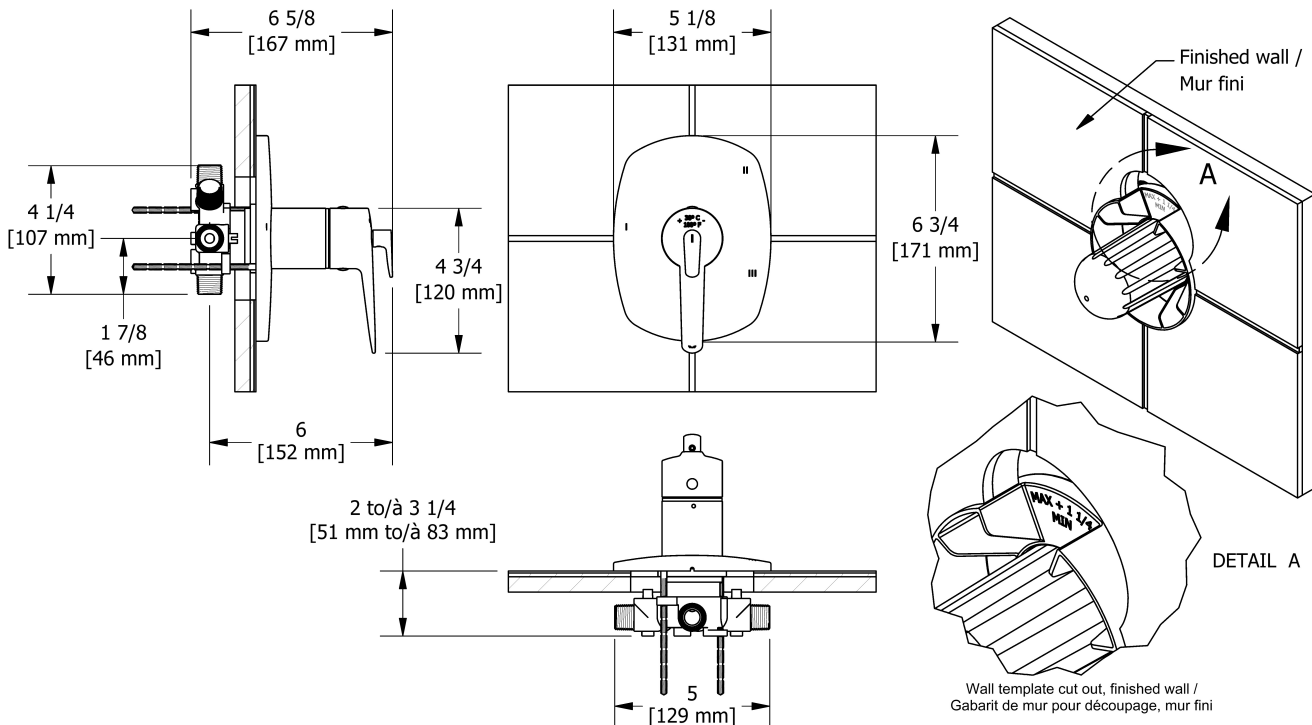
- 24 L/min, 6.3 gpm (US) 60psi

Cartridge

- 0954

Certifications

- CSA B125.1
- ASME A112.18.1
- ASSE 1016
- CMR248 Approval
- ADA



Sizes, models and finishes may differ from those presented.

Warranty

This Riobel Inc. product you have purchased carries a **Limited lifetime warranty on the chrome, PVD finished and all working parts** and is guaranteed from the initial purchase date against all **manufacturing defects**. All other finishes including plastic component are guaranteed for one year. All electric and/or electronic parts are covered by a 1-year limited warranty.

Customer Service

Ontario, West Canada : 888-287-5354 Quebec, Maritimes, United States : 866-473-8442