

Undermount Basins

Installation Manual

Important

- Thoroughly inspect your product before proceeding with the installation.
- The warranty will be void if the product is installed with a conspicuous defect.

Caution

- Read all instructions carefully before starting the installation.
- Save this manual for future reference.

Acritec Industries Corp.

27049 Gloucester Way
Langley, BC V4W 3Y3

Tel: 604.607.0856

Fax: 604.607.0857

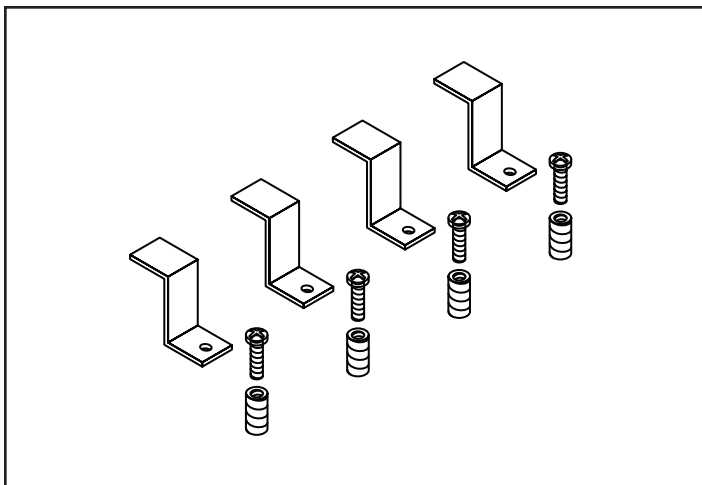
Email: info@acritec.com

Website: www.acritec.com

In keeping with our policy of continuing product improvement, Acritec Industries Corp. reserves the right to change product specifications without notice.

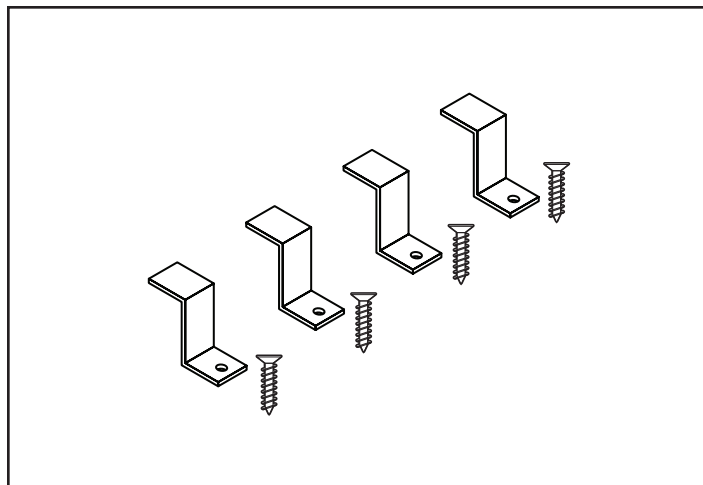


Recommended Fasteners



Marble Or Stone Surface (Not Supplied)

4 x Clips
4 x Brass Fittings
#10-24 Machine Screws



Solid Wood Counter-top (Not Supplied)

4 x Clips
#10 Machine Screws

Before You Begin

Before starting your installation, please take a few minutes to read these instructions carefully.

Ensure that the correct item has been received as ordered.

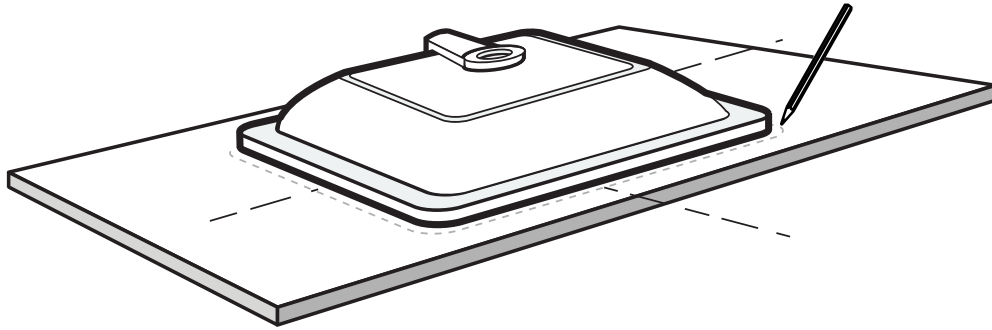
Consult local building/plumbing codes and ensure that the installation complies with local standards.

Prior to installation ensure there is adequate clearance between the backsplash, faucet, fixtures and cabinets for the new basin.

Remove the item from its packaging and inspect it thoroughly for damage and defects. Damage claims must be made directly to the freight carrier. Defective or damaged items must not be installed.

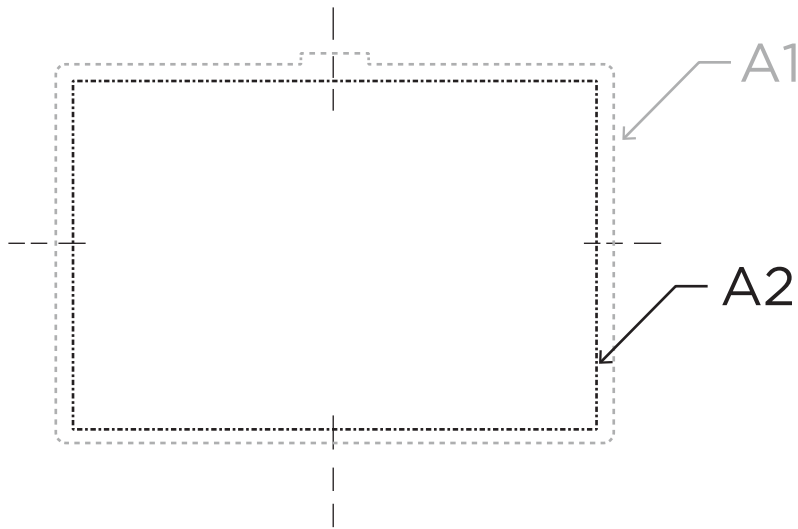
Do not cut your counter-top before receiving your sink. All measurements should be checked against the actual sink to ensure proper fit.

Site Preparation



Step 1

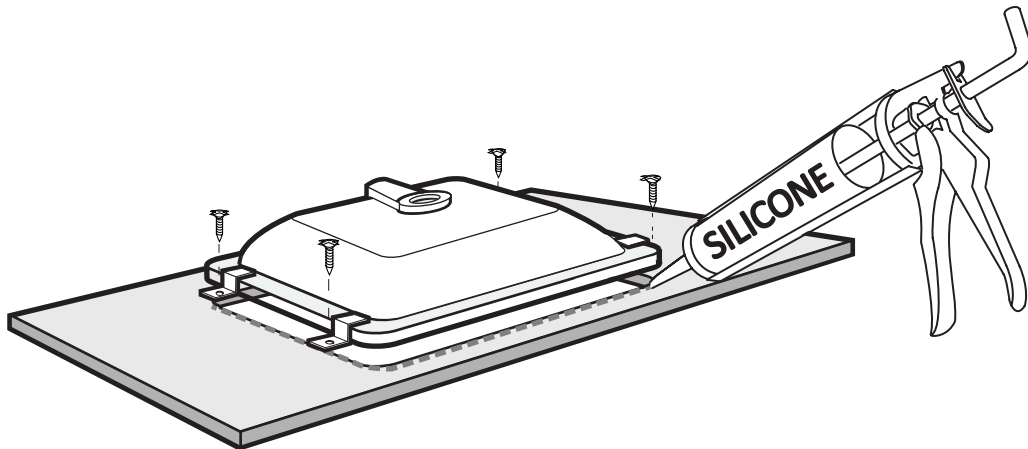
Place sink upside down on the counter-top in the desired position. Trace the profile of the sink onto the counter-top. Mark the location of the faucet hole centerline on the counter-top.



Step 2

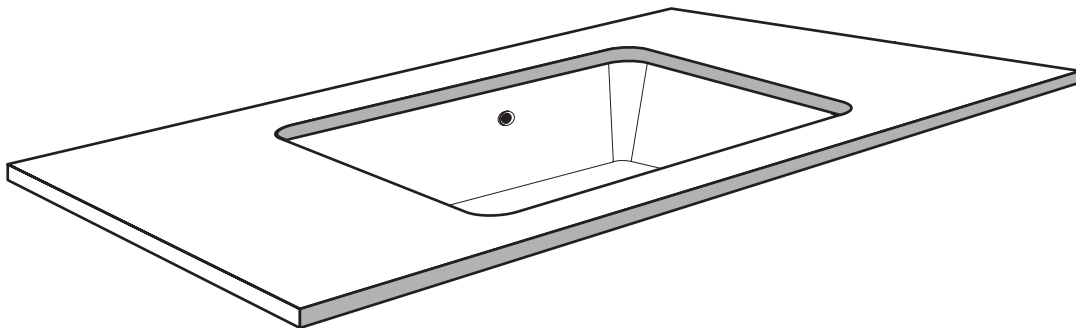
Determine the desired amount of overhang, then measure in from the traced profile of the sink (A1). Cut the counter-top along A2 using the method recommended by your counter-top manufacturer.

Installation & Finishing



Step 3

Install undermount clamps in accordance with the clamp manufacturer's and counter-top manufacturer's guidelines. After dry-fitting the counter-top and checking the alignment to the opening apply a bead of silicone to the rim of the sink. Center the basin and tighten the screws to secure the bowl to the counter top.



Step 4

Mount the drain (not included) taking care to follow the manufacturer's instructions. Apply a bead of plumber's putty on the underside of the drain in order to ensure a water tight seal between the sink and the drain. Remove the excess putty after the installation of the drain is complete.