

AQUABRASS

aquakit X-11-059

Specifications





FEATURES

Solid brass construction
 1/2" pressure balance valve for shower
 1/2" sweat connection
 Ceramic cartridge

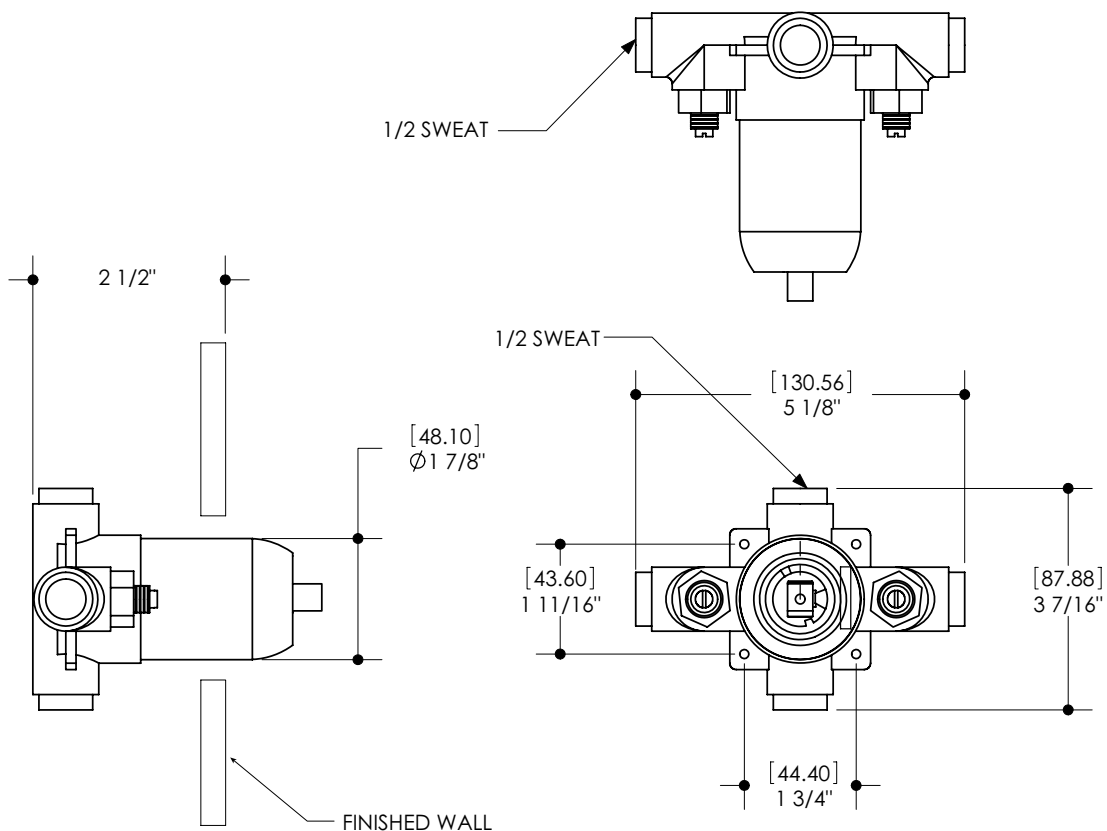
Flow rate: 4.5gpm at 45psi

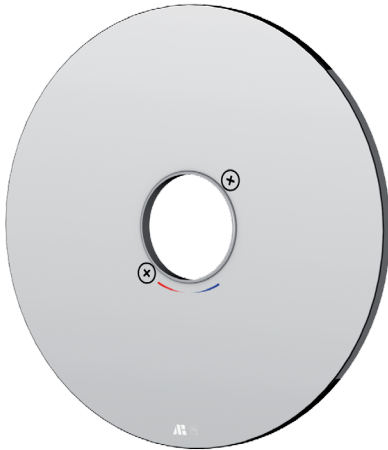
FINISHES

Standard
 polished chrome (pc)
 brushed nickel (bn)
Custom
 15 Custom finishes available
 (ask your local Aquabrace authorized dealer for details)

WARRANTY

Residential: Limited lifetime warranty to original purchaser
 Commercial: Two years warranty
 (Complete warranty available at www.aquabrace.com/warranty)





FEATURES

Solid brass construction
Thin contemporary style - 8" x 1/4"
Decorative cylinder included
Handle required
Fits 1/2" pressure balance valve #40255

FINISHES

Standard

Polished chrome (pc)

Brushed nickel (bn)

Custom

15 custom finishes available

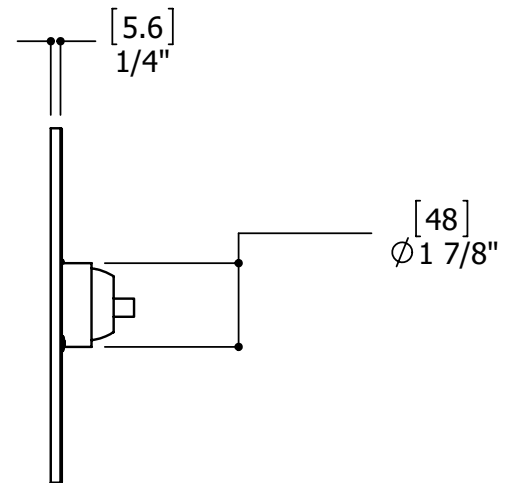
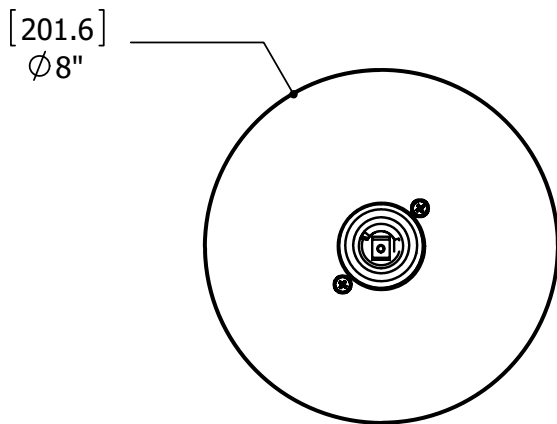
(ask your local Aquabrax authorized dealer for details)

WARRANTY

Residential: Limited lifetime warranty to original purchaser

Commercial: Two years warranty

(Complete warranty available at www.aquabrax.com/warranty)





FEATURES

Solid brass construction

FINISHES

Standard

Polished chrome (pc)

Brushed nickel (bn)

Custom

15 custom finishes available

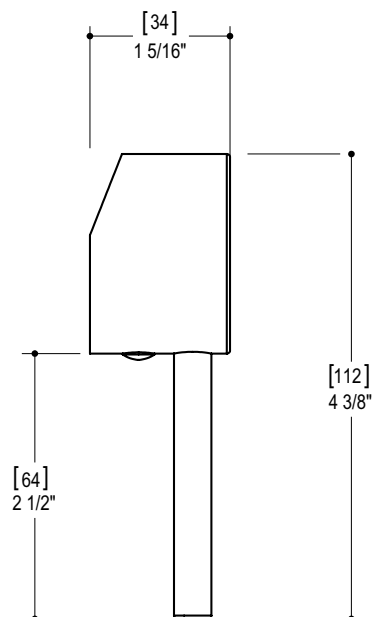
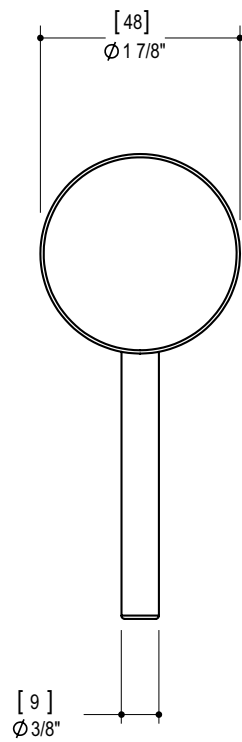
(ask your local Aquabrace authorized dealer for details)

WARRANTY

Residential: Limited lifetime warranty to original purchaser

Commercial: Two years warranty

(Complete warranty available at www.aquabrace.com/warranty)





FEATURES

Round rail with adjustable sliding hook
 5 function handshower: rain, rain/massage, massage, massage/jet, jet
 5' to 6' expandable braided hose

Flow rate: 2.5 gpm
 Height: 31 1/2"

FINISHES

Standard

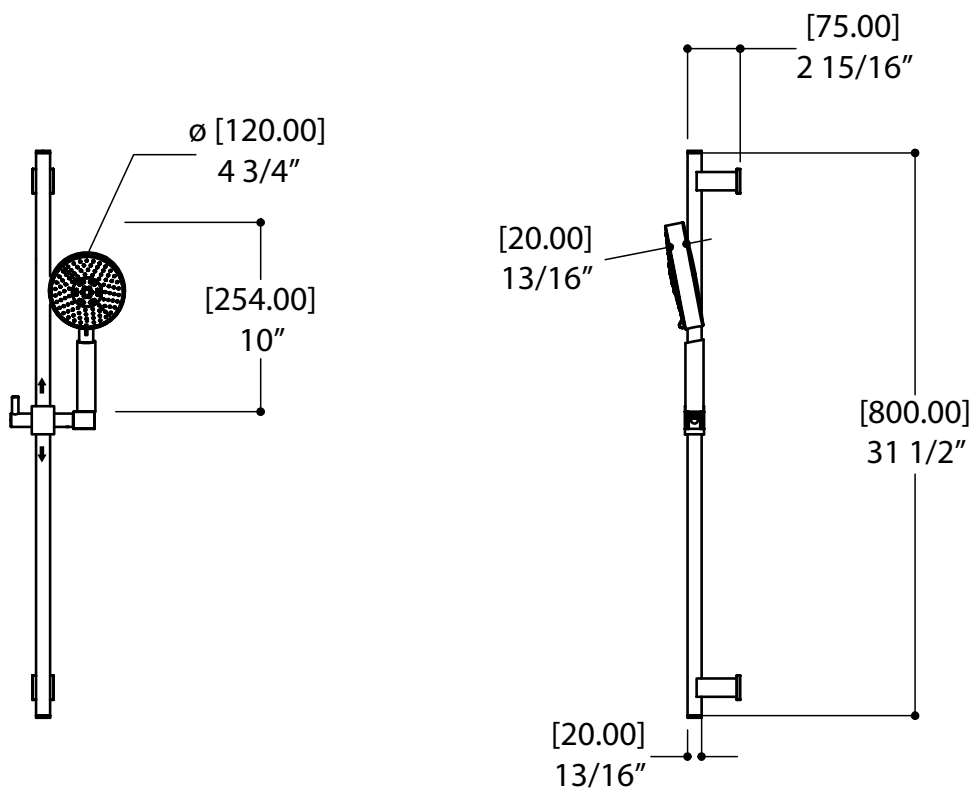
Polished chrome (pc)
 Brushed nickel (bn)

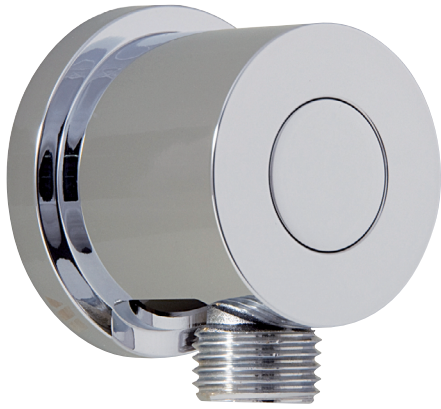
Sur mesure

15 finis sur mesure disponible
 (pour plus d'information, demander conseil à votre détaillant)

WARRANTY

Residential: Limited lifetime warranty to original purchaser
 Commercial: Two years warranty
 (Complete warranty available at www.aquabrace.com/warranty)





FEATURES

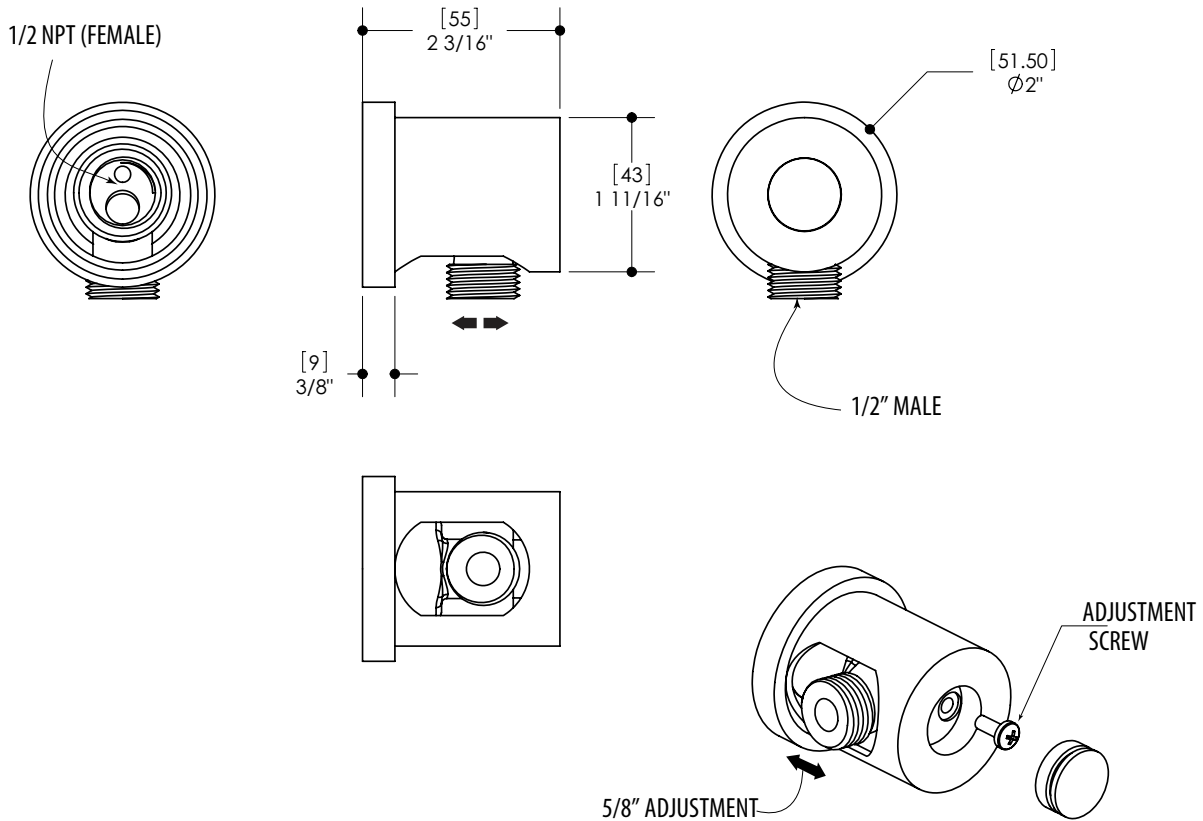
- Thermo insulation body
- 5/8" trim adjustment to elbow installation
- 1/2" NPT female connection

FINISHES

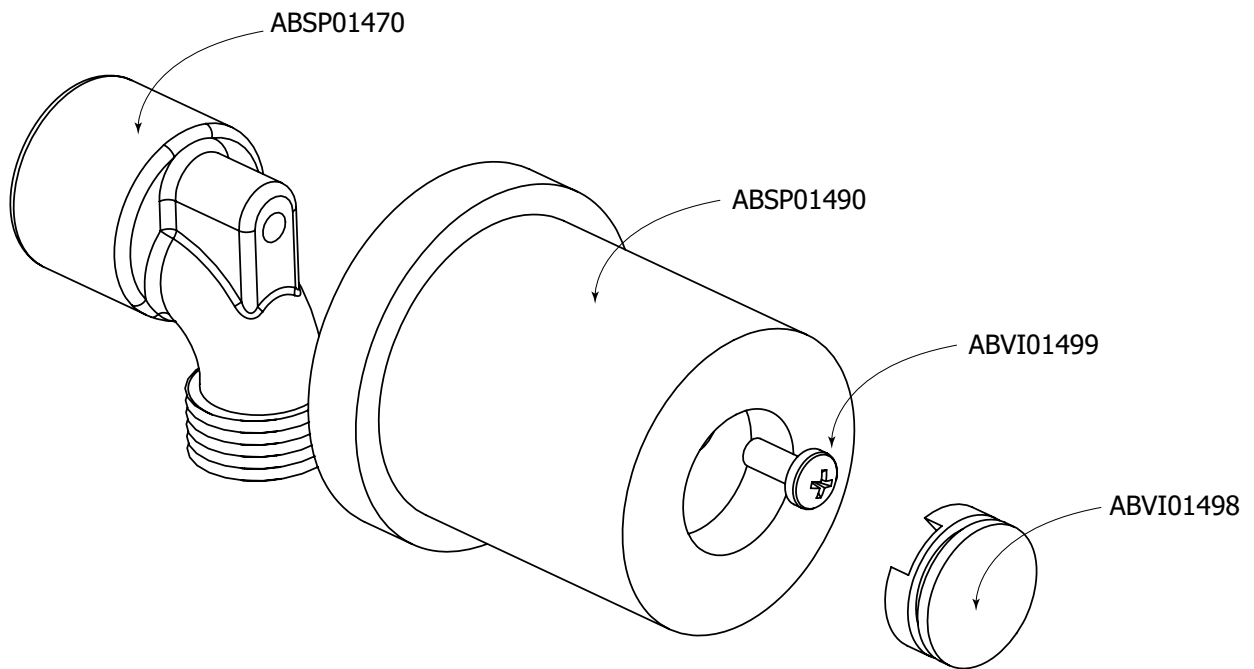
- Standard**
- Polished chrome (pc)
 - Brushed nickel (bn)
- Custom**
- 15 Custom finishes available
 - (ask your local Aquabrax authorized dealer for details)

WARRANTY

- Residential: Limited lifetime warranty to original purchaser
- Commercial: Two years warranty
- (Complete warranty available at www.aquabrax.com/warranty)



EXPLOSION PARTS





FEATURES

Solid brass construction
 With diverter
 1/2" slip-fit connection

FINISHES

Standard
 Polished chrome (pc)
 Brushed nickel (bn)
Custom
 15 Custom finishes available
 (ask your local Aquabrace authorized dealer for details)

WARRANTY

Residential: Limited lifetime warranty to original purchaser
 Commercial: Two years warranty
 (Complete warranty available at www.aquabrace.com/warranty)

