

Specifications





FEATURES

Solid brass construction
 1/2" pressure balance valve for tub/shower
 1/2" NPT male / sweat connection
 Ceramic cartridge

Flow rate: 4.5gpm at 45psi

FINISHES

Standard

Polished chrome (pc)
 Brushed nickel (bn)

Custom

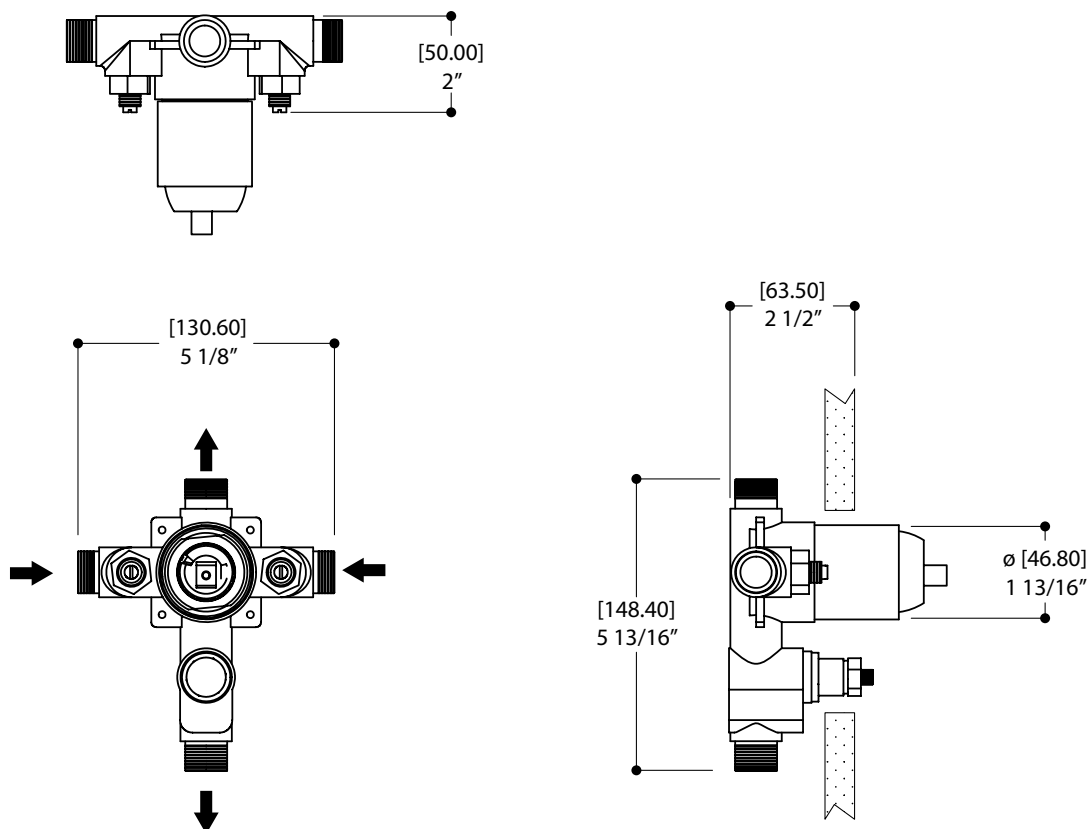
15 Custom finishes available
 (ask your local Aquabrace authorized dealer for details)

WARRANTY

Residential: Limited lifetime warranty to original purchaser

Commercial: Two years warranty

(Complete warranty available at www.aquabrace.com/warranty)



FEATURES

Solid brass construction
 Thin contemporary style - 8" x 1/4"
 Decorative cylinder included
 Handle (x1) required
 Fits 1/2" pressure balance valve 42355

FINISHES

Standard

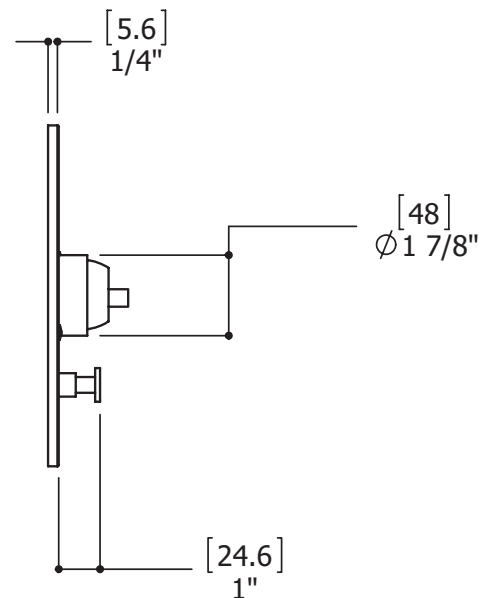
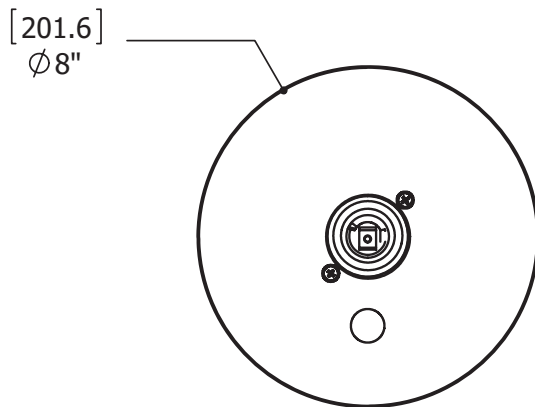
Polished chrome (pc)
 Brushed nickel (bn)

Custom

17 custom finishes available
 (ask your local Aquabress authorized dealer for details)

WARRANTY

Residential: Limited lifetime warranty to original purchaser
 Commercial: Two years warranty
 (Complete warranty available at www.aquabress.com/warranty)





FEATURES

Solid brass construction

FINISHES

Standard

Polished chrome (pc)

Brushed nickel (bn)

Custom

19 custom finishes available

(ask your local Aquabross authorized dealer for details)

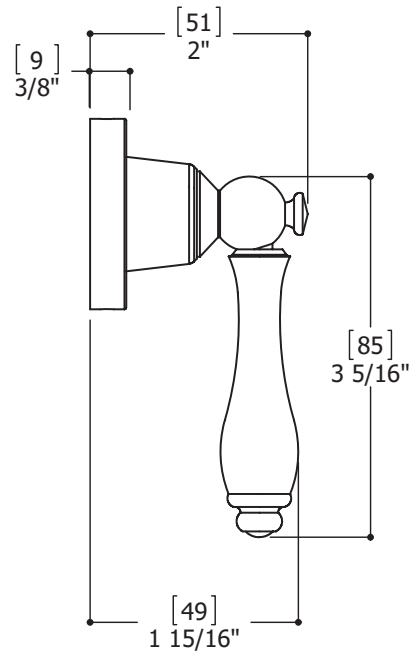
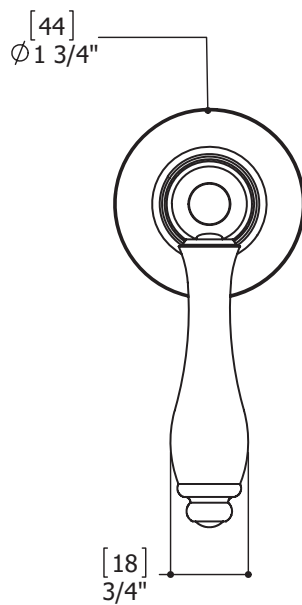
WARRANTY

Residential: Limited lifetime warranty to original purchaser

Commercial: Two years warranty

(Complete warranty available at www.aquabross.com/warranty)

CODE & COMPLIANCE



FEATURES

Solid brass construction
 Wallmount/ceiling installation
 1/2" NPT female connection

FINISHES

Standard
 Polished chrome (pc)
 Brushed nickel (bn)

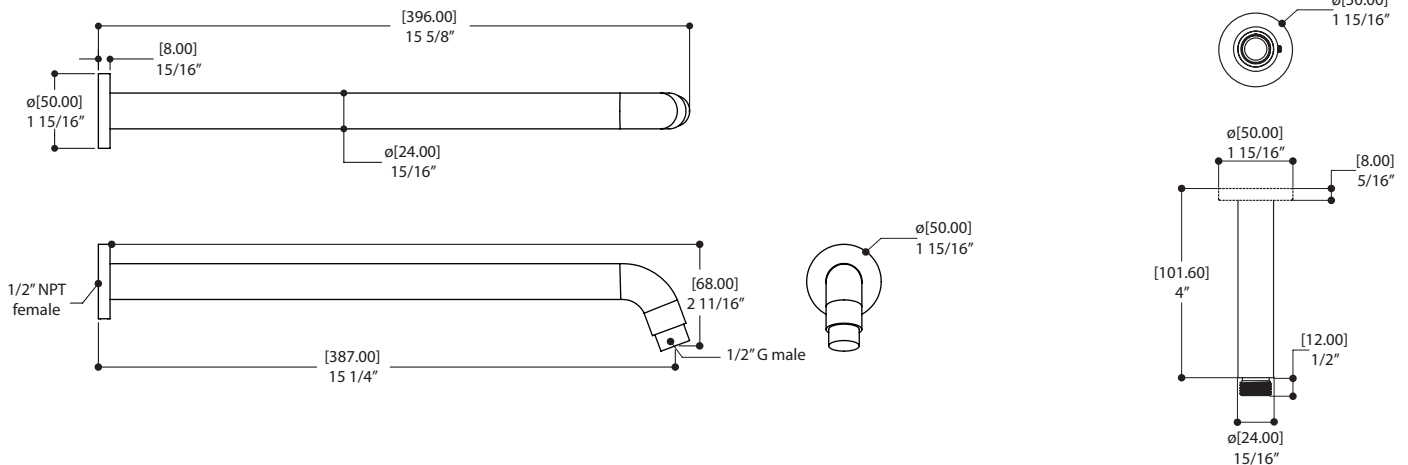
WARRANTY

Residential: Limited lifetime warranty to original purchaser
 Commercial: Two years warranty
 (Complete warranty available at www.aquabrand.com/warranty)



4" round ceiling drop

16" round shower arm & flange





FEATURES

Traditional style
 Solid brass construction
 Silicone spray nozzles for easy cleaning
 1/2" NPT female connection

Flow rate: 2.5 gpm

FINISHES

Standard

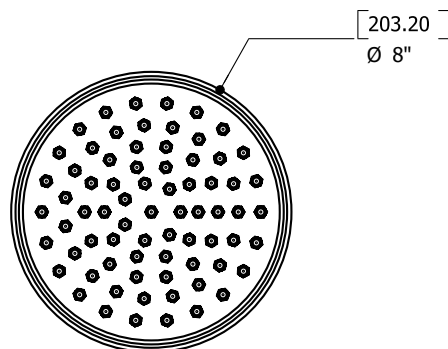
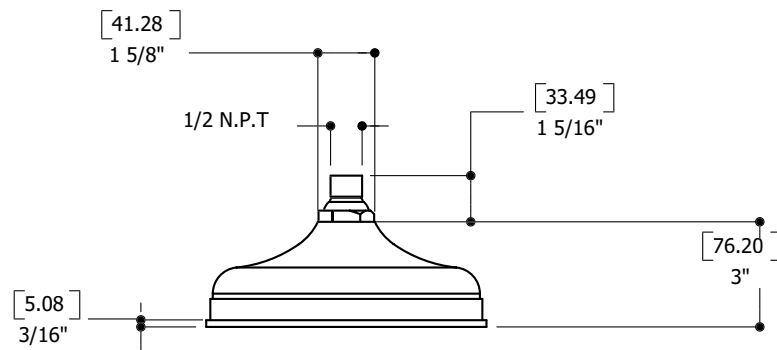
Polished chrome (pc)
 Brushed nickel (bn)

Custom

15 custom finishes available
 (ask your local Aquabrain authorized dealer for details)

WARRANTY

Residential: Limited lifetime warranty to original purchaser
 Commercial: Two years warranty
 (Complete warranty available at www.aquabrain.com/warranty)





FEATURES

Adjustable and orientable sliding hook

Height: 31 1/2"

FINISHES

Standard

Polished chrome (pc)

Brushed nickel (bn)

Custom

15 Custom finishes available

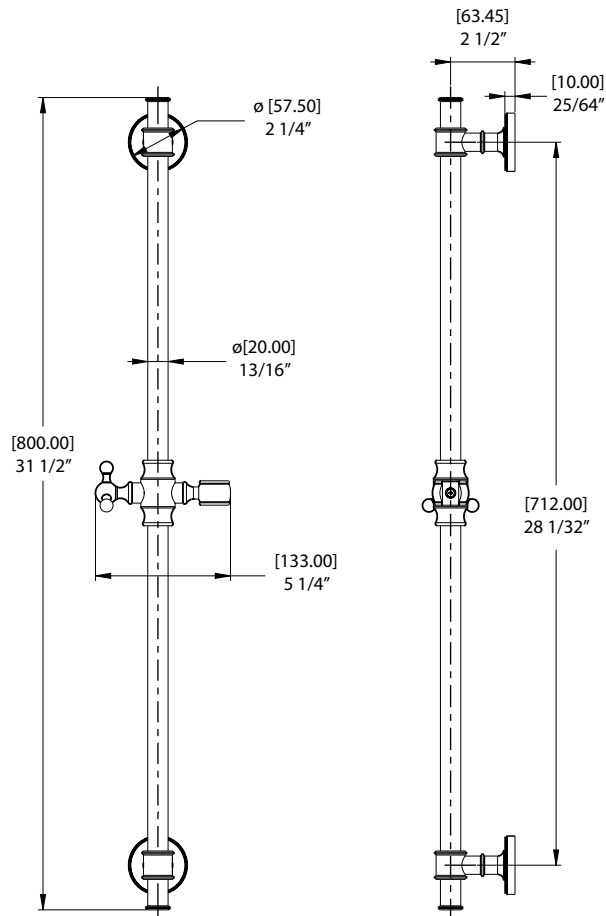
(ask your local Aquabrace authorized dealer for details)

WARRANTY

Residential: Residential: Limited lifetime warranty to original purchaser

commercial: Two years warranty

(Complete warranty available at www.aquabrace.com/warranty)





FEATURES

3 functions: rain, rain/jet, jet
Silicone spray nozzles for easy cleaning
1/2" male connection

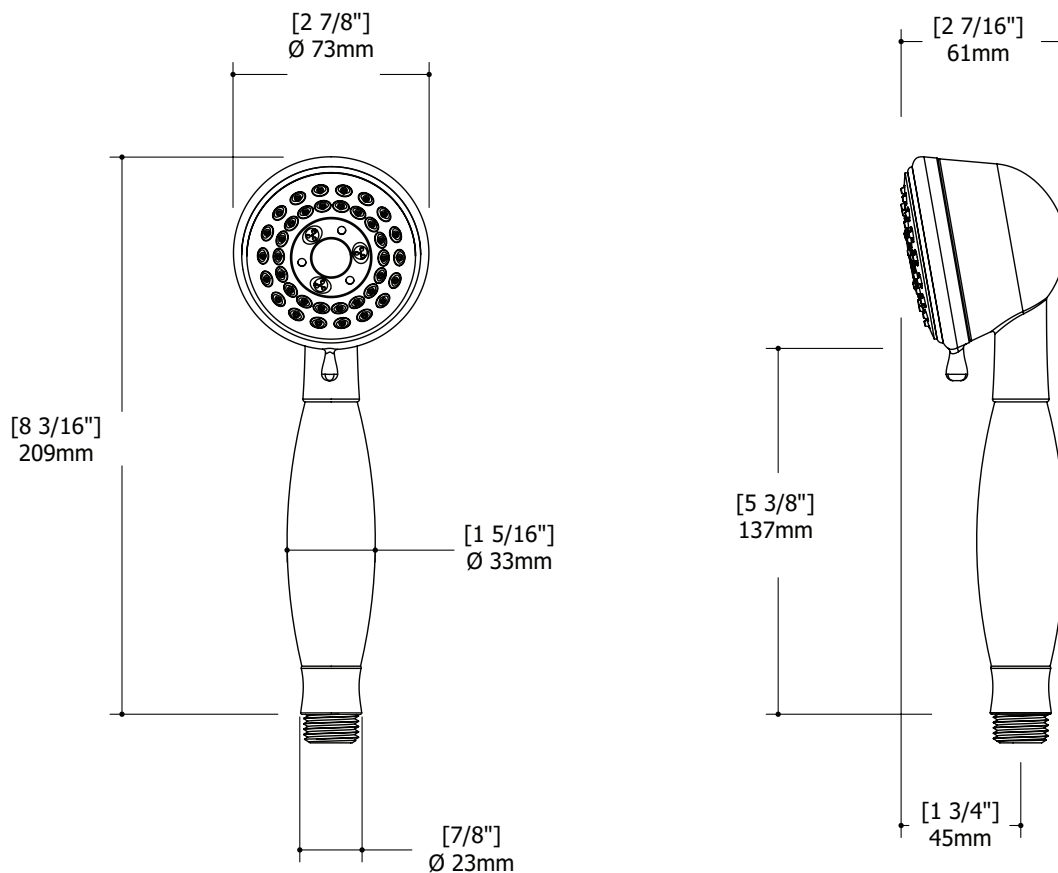
flow rate: 2.5 gpm

FINISHES

Standard
Polished chrome (pc)
Brushed nickel (bn)

WARRANTY

Residential: Limited lifetime warranty to original purchaser
Commercial: Two years warranty
(Complete warranty available at www.aquabrace.com/warranty)





FEATURES

Double interlock 5' to 6' spiral hose
Extensible
ANTI TWIST (one end with ball-bearing)
1/2" connections

FINISHES

Standard

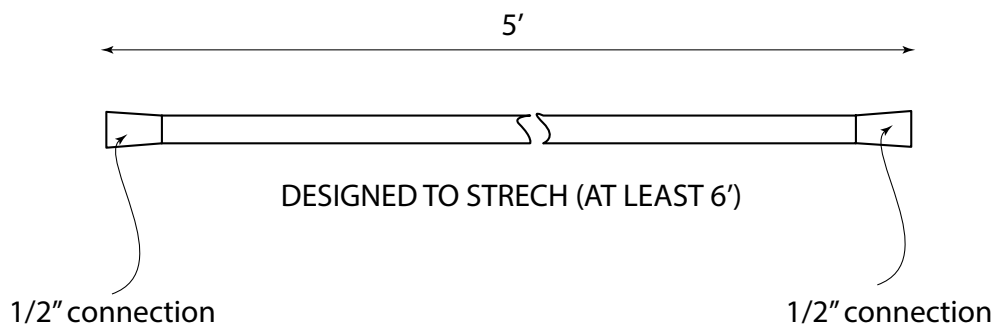
Polished chrome (pc)
Brushed nickel (bn)

Custom

15 Custom finishes available
(ask your local Aquabross authorized dealer for details)

WARRANTY

Residential: Limited lifetime warranty to original purchaser
Commercial: Two years warranty
(Complete warranty available at www.aquabross.com/warranty)





FEATURES

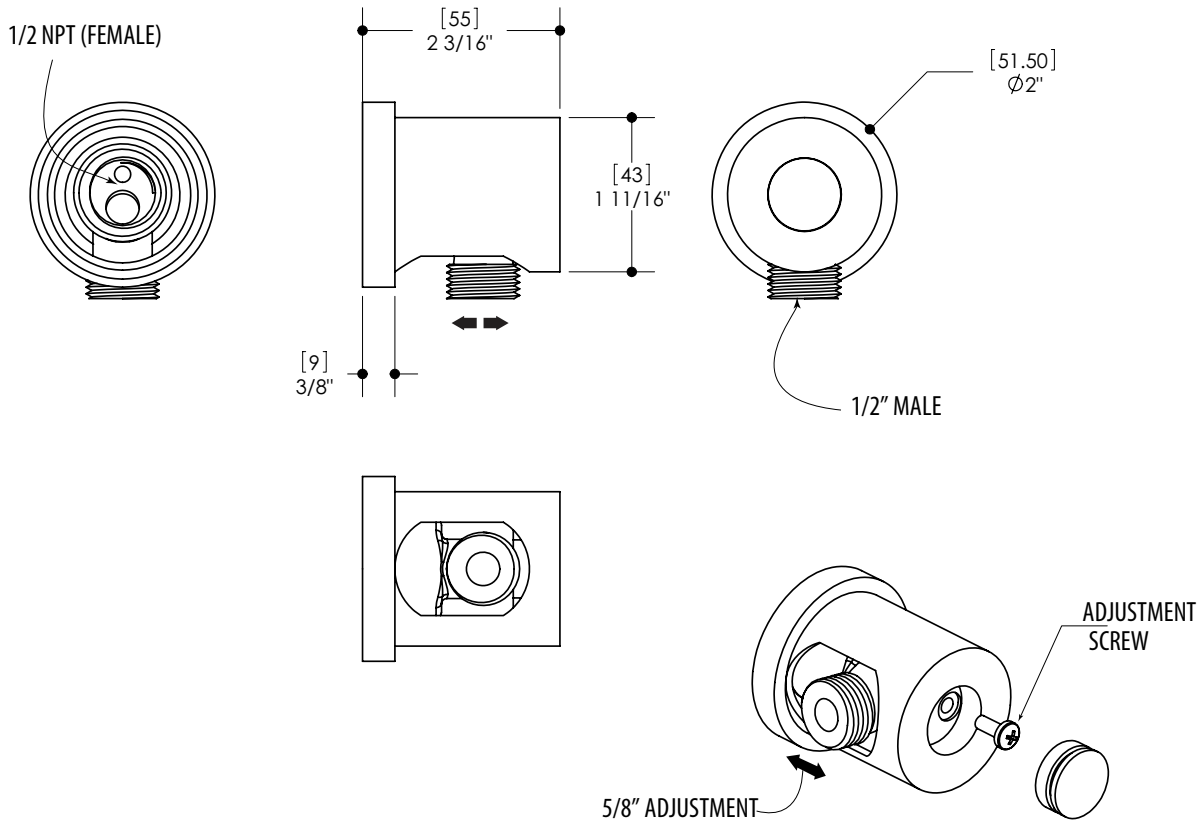
- Thermo insulation body
- 5/8" trim adjustment to elbow installation
- 1/2" NPT female connection

FINISHES

- Standard**
- Polished chrome (pc)
 - Brushed nickel (bn)
- Custom**
- 15 Custom finishes available
 - (ask your local Aquabrax authorized dealer for details)

WARRANTY

- Residential: Limited lifetime warranty to original purchaser
- Commercial: Two years warranty
- (Complete warranty available at www.aquabrax.com/warranty)



EXPLOSION PARTS

