



Wall-mount Type T/P (thermo/pressure balance)  
coaxial open spout tub filler with hand shower  
**SA07XX**



## Specifications

### Descriptions

- 1-jet hand shower/scale-free
- ½" inlet female NPT
- Thermostatic/pressure balance coaxial cartridge with check valves
- 1 integrated volume control

### Available colors

- C : Chrome
- PN : Polished nickel (PVD)

### Available flow

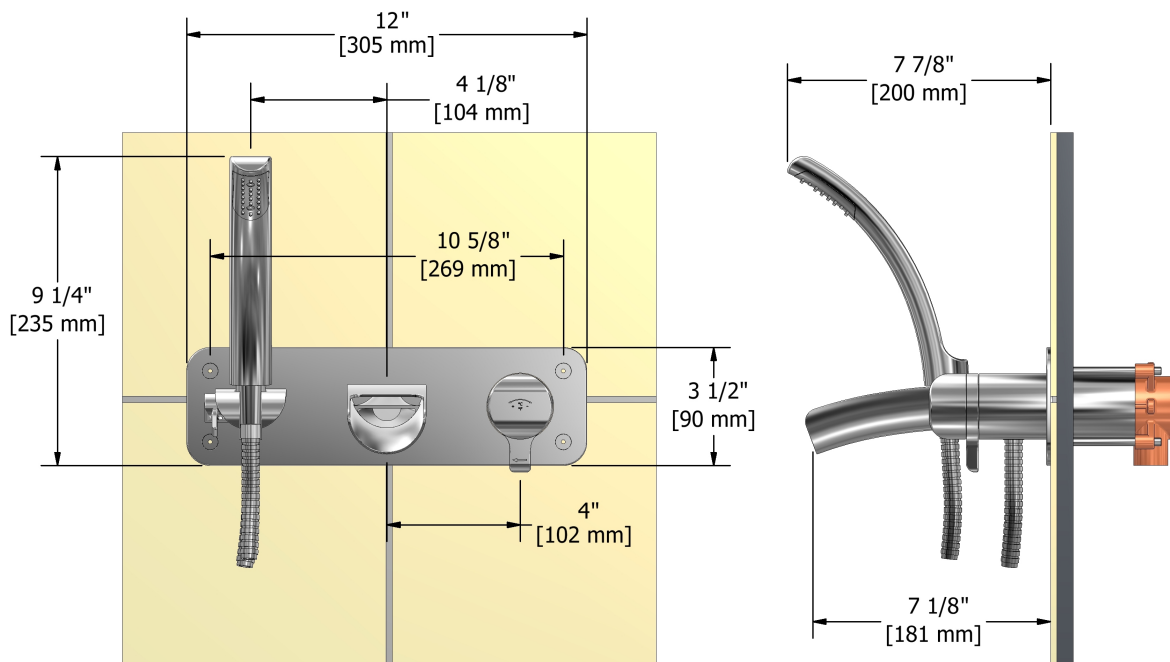
- 41.5 L/min, 11 gpm (US) 60psi

### Cartridge

- 401-143

### Certifications

- CSA B125.1
- ASME A112.18.1
- ASSE 1016
- CMR248 Approval



Sizes, models and finishes may differ from those presented.

### Warranty

This Riobel Inc. product you have purchased carries a **Limited lifetime warranty on the chrome, PVD finished and all working parts** and is guaranteed from the initial purchase date against all **manufacturing defects**. All other finishes including plastic component are guaranteed for one year. All electric and/or electronic parts are covered by a 1-year limited warranty.

### Customer Service

Ontario, West Canada : 888-287-5354 Quebec, Maritimes, United States : 866-473-8442