

Focus

Single lever basin mixer for exposed installation wall-mounted

Surfaces: **Chrome** Article Number: **31923000**



Description

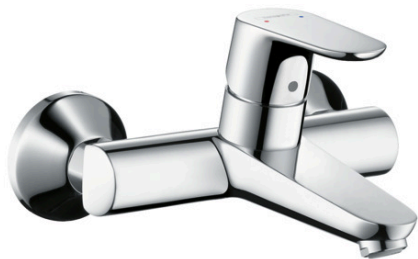
product features

- projection 180 mm
- centre distance: 150 ± 12 mm
- normal spray
- flow rate at 3 bar: 5 l/min
- ceramic cartridge
- temperature limitation adjustable
- with noise reduction
- suitable for continuous flow water heaters
- connection dimension: DN15

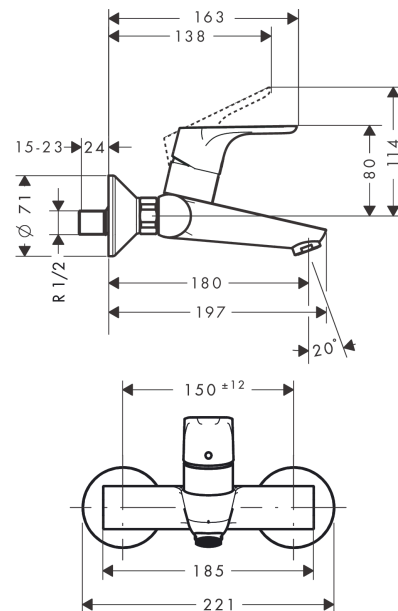
Technology



Product image



Scale drawing



Flowchart

