

Arvina™ Round Vessel Lavatory

FEATURES

- 15-3/4" diameter round vessel lavatory
- Thin, rounded edges achieving a decorative design
- Vitreous China
- Without overflow
- Installation template included
- ADA compliant
- Drain sold separately

MODELS

- LT572
Lavatory (#01)



COLORS/FINISHES

- Standard
#01 Cotton

PRODUCT SPECIFICATION

This semi-recessed vessel lavatory shall be made of Vitreous China. Lavatory shall be 15-3/4". Lavatory shall be ADA compliant. Lavatory shall be TOTO Model LT572_____.

CODES/STANDARDS

- Meets ADA guidelines and ANSI A117.1 requirements when countertop is installed 864mm (34") from finished floor and lavatory is installed 89mm (3-1/2") minimum from front edge.
- Meets and exceeds ASME A112.19.2/CSA B45.1
- Certifications: IAPMO(cUPC), State of Massachusetts, City of Los Angeles, and others
- Code compliance: UPC, IPC, NSPC, NPC Canada, and others
- ADA compliant
- Complies with CA Prop 65 warning requirements

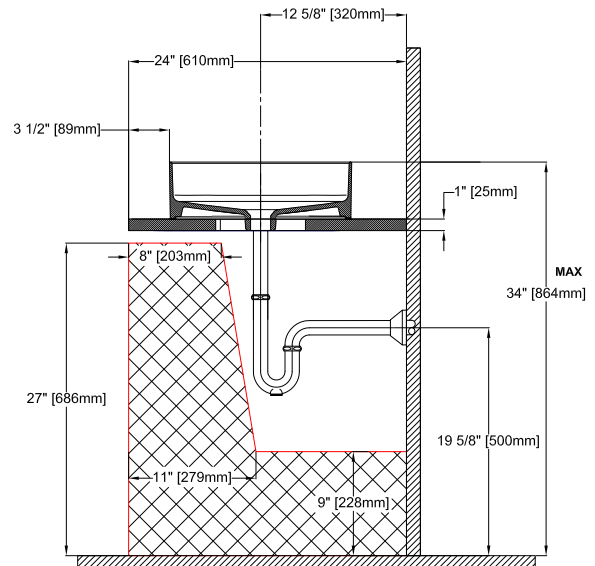
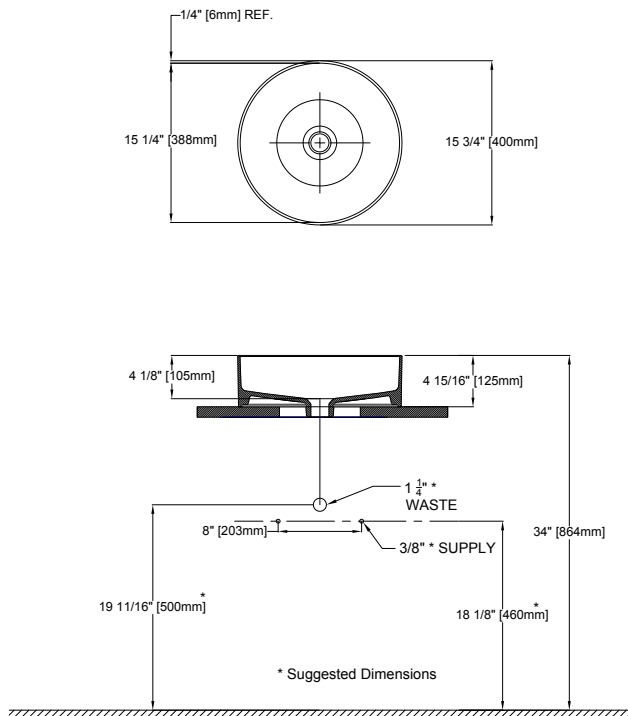


LT572

Arvina™ Vessel Lavatory

SPECIFICATIONS

- Waste 1-1/4" (32 mm)
- Size 15-3/4" (400 mm)
- Basin 15-1/4" (388 mm)
- Basin Depth 4-1/8" (105 mm)
- Warranty One Year Limited Warranty
- Material Vitreous China
- Shipping Weight 18.2 lbs.
- Shipping Dimensions 17" x 17-1/4" x 7-3/4"



TOTO®

These dimensions and specifications are subject to change without notice