



Gilded Meadow™ Conical Bell®

Vessel bathroom sink
K-45922-DE

Features

- Decorated with a textural floral pattern on Translucent Cashmere background.
- Gold accents.
- Round bowl-like basin.
- No faucet holes; requires wall- or counter-mount faucet.
- Coordinates with other products with the Gilded Meadow design.

Material

- Vitreous china.

Installation

- Vessel.

Recommended Products/Accessories

K-7114 Pop-Up Drain
K-7129 Drain
K-9018 P-Trap
K-23726 Drain treatment
K-23725 Cast iron cleaner

Included Components

Additional Components:
Adjustable linkage



ADA CSA B651 OBC

Codes/Standards

ASME A112.19.2/CSA B45.1
ADA
ICC/ANSI A117.1
CSA B651
OBC

KOHLER® One-Year Limited Warranty

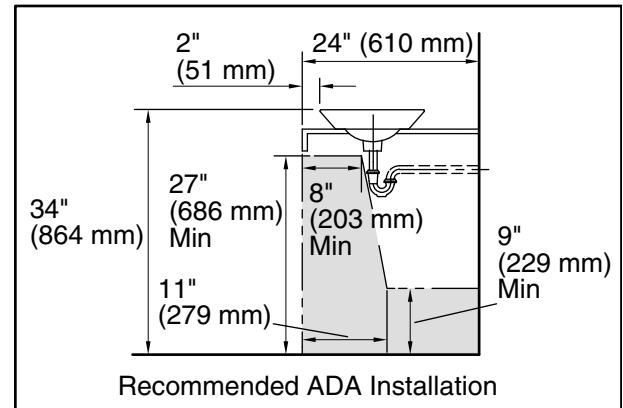
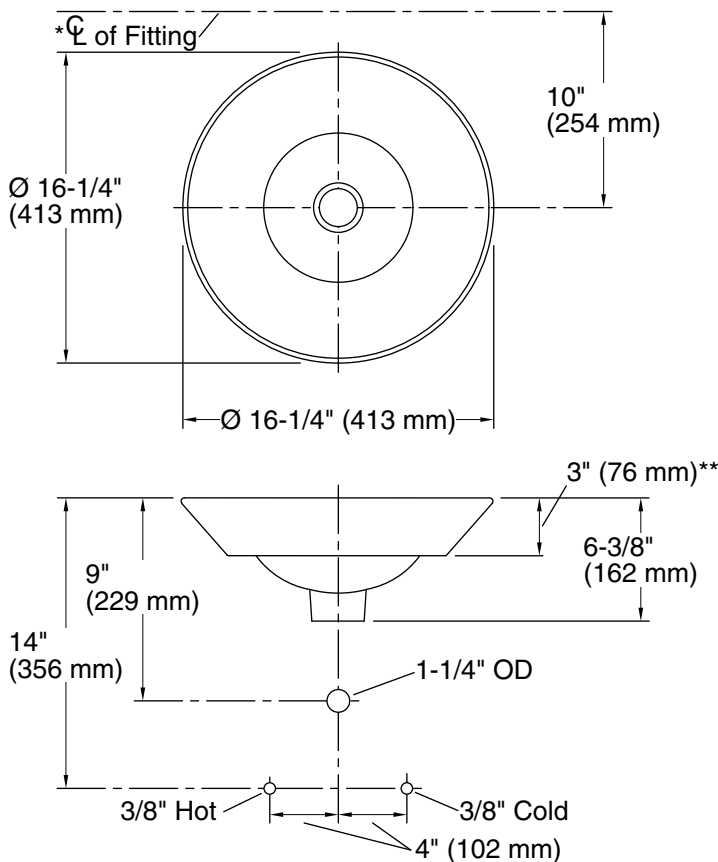
See website for detailed warranty information.

Available Colors/Finishes

Color tiles intended for reference only.

Color Code Description

| | | |
|--|----|----------------------|
| | K5 | Translucent Cashmere |
|--|----|----------------------|



Technical Information

All product dimensions are nominal.

| | |
|---------------------|--|
| Bowl configuration: | Single |
| Installation: | Wall-mount, Vessel |
| Bowl area: | Diameter: 15-7/8" (403 mm) Water depth: 4-1/4" (108 mm) |
| Drain hole: | 1-3/4" (44 mm) |
| Template: | 1002980-7, required, included |

Notes

Install this product according to the installation instructions.

Product does not have an overflow.

*Spout must be 5" (127 mm) long (min) for adequate clearance into the bathroom sink when installed with centerline as shown.

NOTICE: Countertop manufacturer or cutter must use the cut-out template provided with the product, or a current one provided by Kohler Co. (call 1-800-4-KOHLER). Kohler Co. is not responsible for cut-out errors when the incorrect cut-out template is used.

ADA, OBC, CSA B651 compliant when installed to the specific requirements of these regulations.