

### Features

- Multifunction showerhead and handshower each have advanced spray engines to provide three experiences: wide coverage, powerful massage and silk spray.
- Wide coverage spray produces an encompassing spray for everyday use.
- Powerful massage spray is a focused stream that targets sore muscles, or use as a utility spray to rinse kids, pets, and your shower.
- Silk spray releases a dense, luxurious spray ideal for rinsing.
- Pause feature temporarily pauses water flow to conserve water while you lather, shave or shampoo.
- DockNetik® magnetic docking system securely locks the sprayhead into place when not in use.
- MasterClean™ sprayface features an easy-to-clean surface that withstands mineral buildup.
- 1.75 gpm (6.6 lpm) maximum showerhead/handshower flow rate at 45 psi (3.1 bar).
- Box includes: Showerhead, handshower, and 60" (1524 mm) metal hose.

### Material

- Premium material construction for durability and reliability.
- KOHLER finishes resist corrosion and tarnishing.

### Installation

- Easy installation – no special tools required.

### Included Components

Additional Components:  
60" metal hose

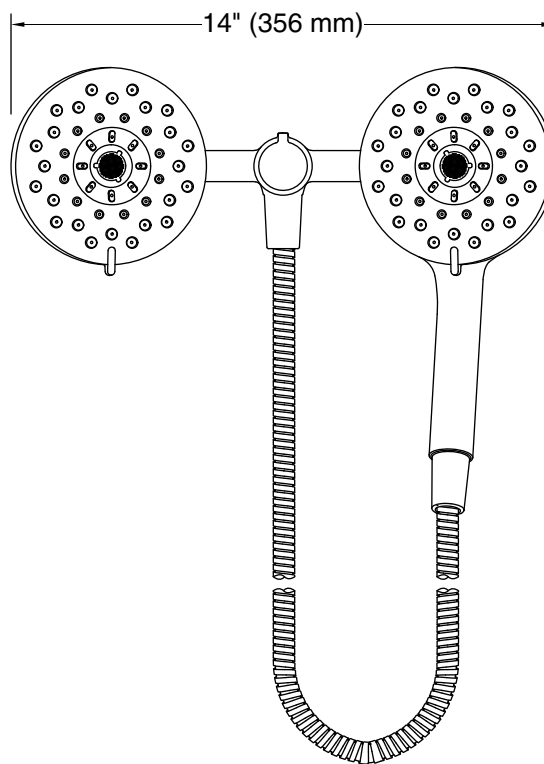
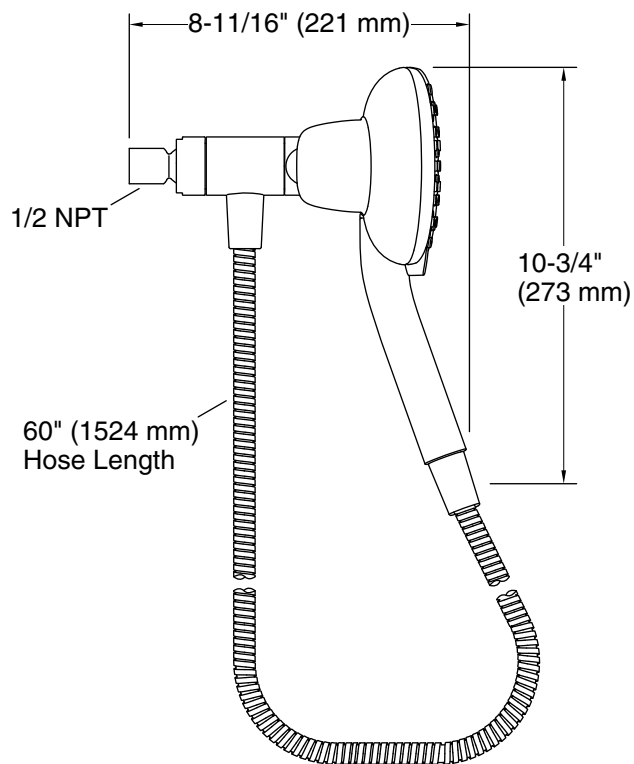


### Codes/Standards

ASME A112.18.1/CSA B125.1  
DOE - Energy Policy Act 1992  
EPA WaterSense®  
California Energy Commission (CEC)

### KOHLER® Faucet Lifetime Limited Warranty

See website for detailed warranty information.



### Technical Information

All product dimensions are nominal.

#### Handshower:

Rated maximum flow: 1.75 gal/min (6.6 l/min)

Pressure: 80 psi (5.5 bar)

### Notes

For use with automatic compensating valves rated at 1.75 gal/min (6.6 l/min) or less.

Install this product according to the installation instructions.