

FRANZ VIEGENER

Revere

i n s t a l l a t i o n




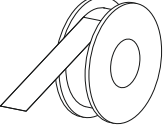
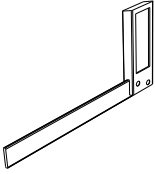
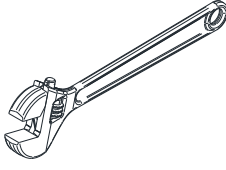
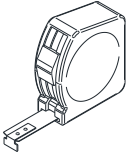

FV131/58

CONGRATULATIONS !

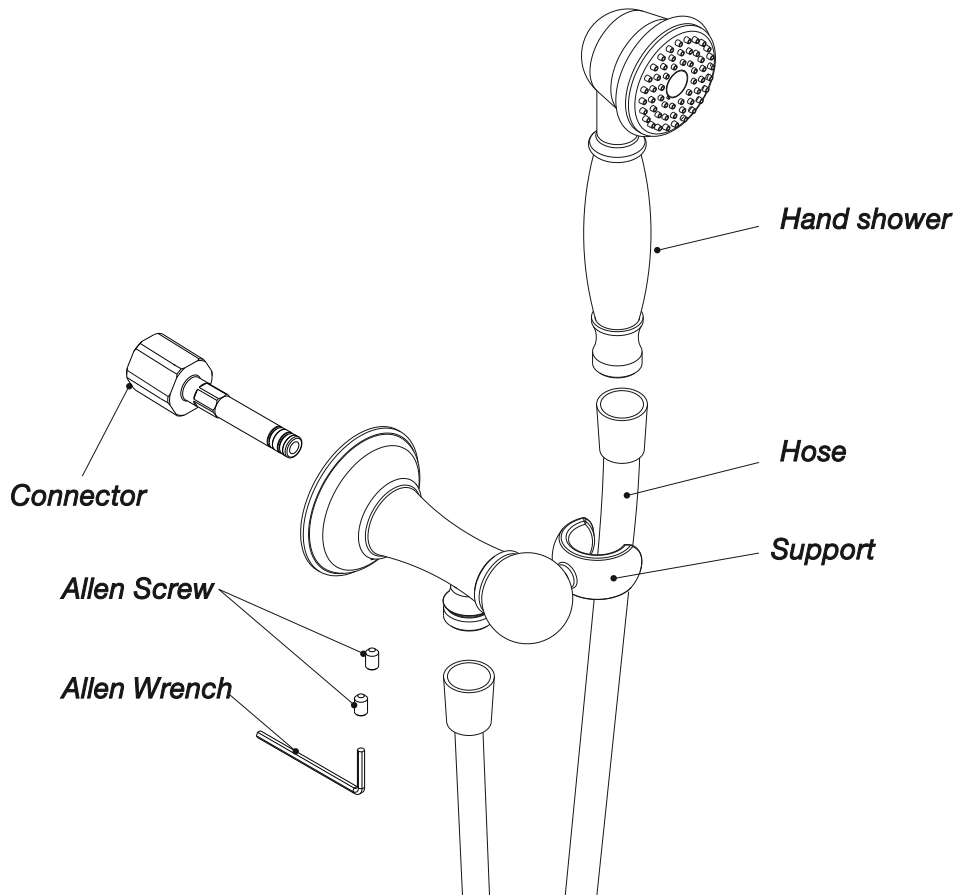
This product has been subjected to stringent tests for its quality, performance and finish. We guarantee years of trouble free operation. We thank you for your choice and above all for the trust you are placing in us. This trust is what motivates us to improve every day.

Before connecting the faucet to the water supply, flush the tubing thoroughly to eliminate any residue.

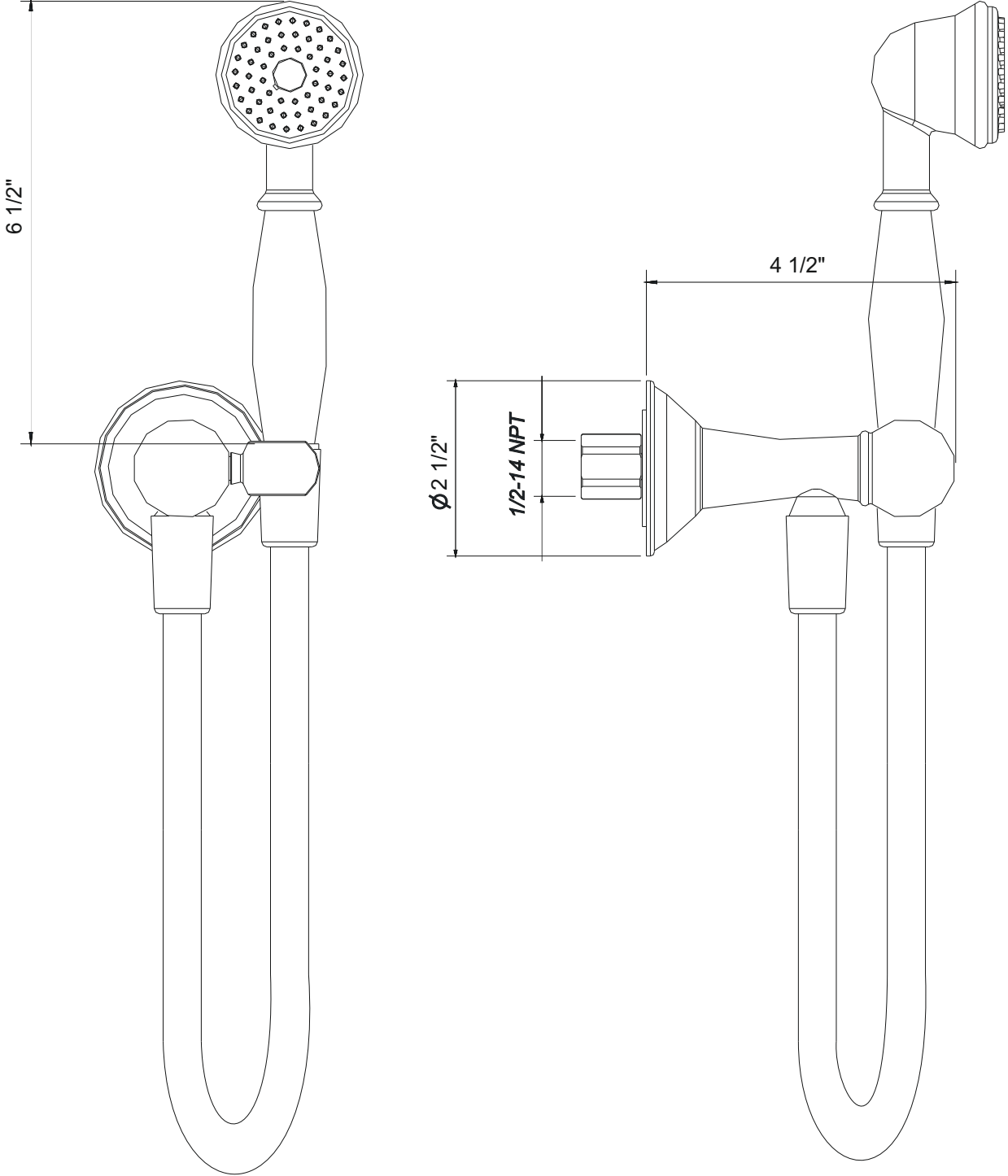
Required installation tools.

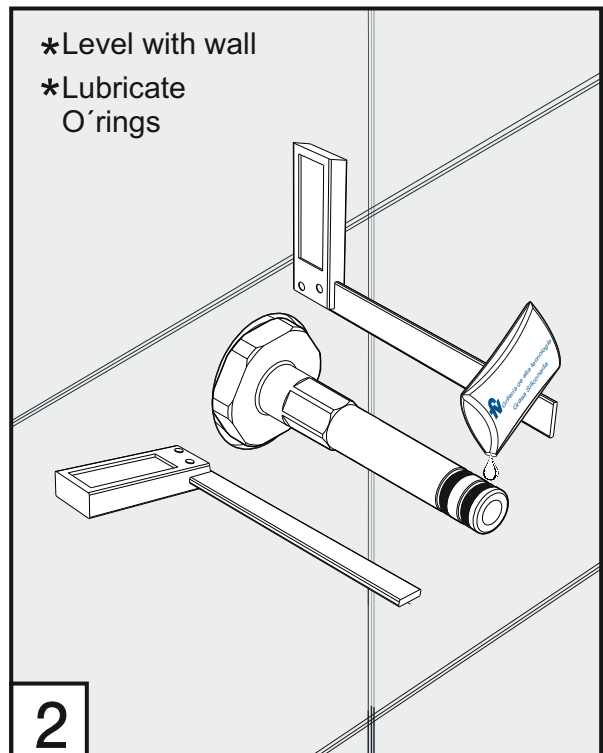
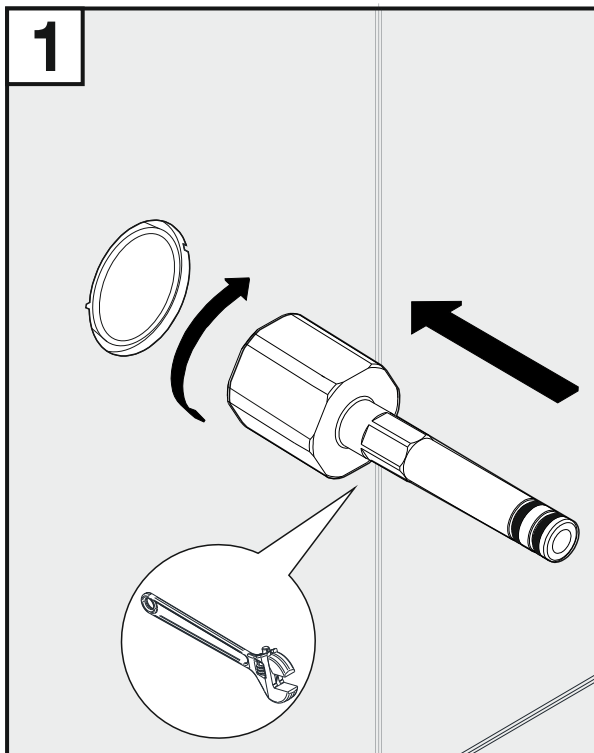
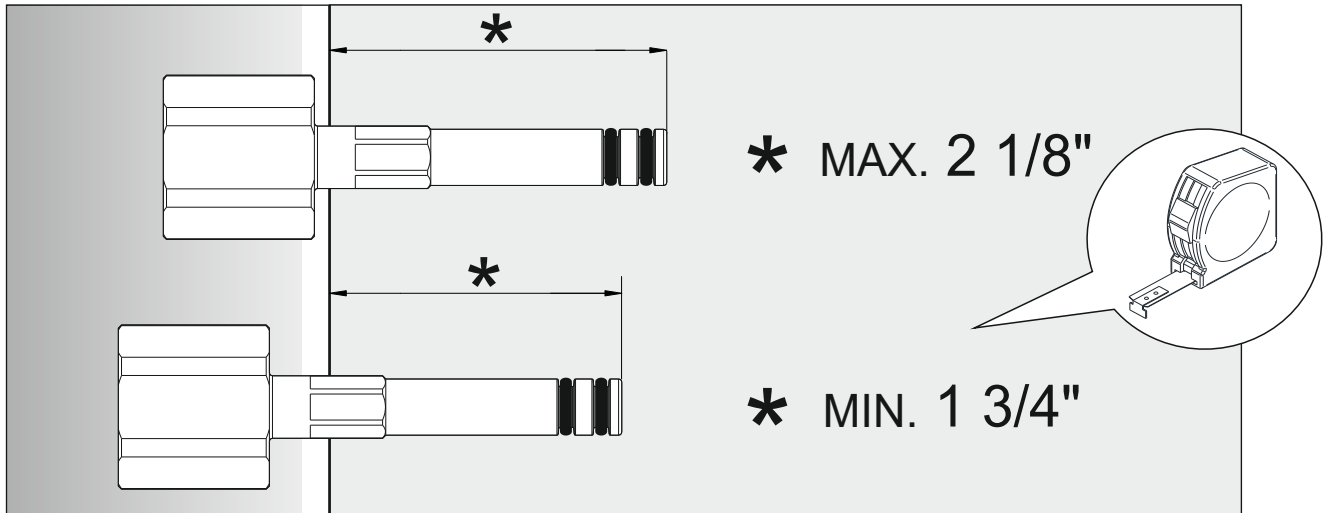
Provided	Not provided			
 Allen wrench	 Teflon tape	 Square	 Adjustable wrench	 Measuring tape
 Silicone grease				

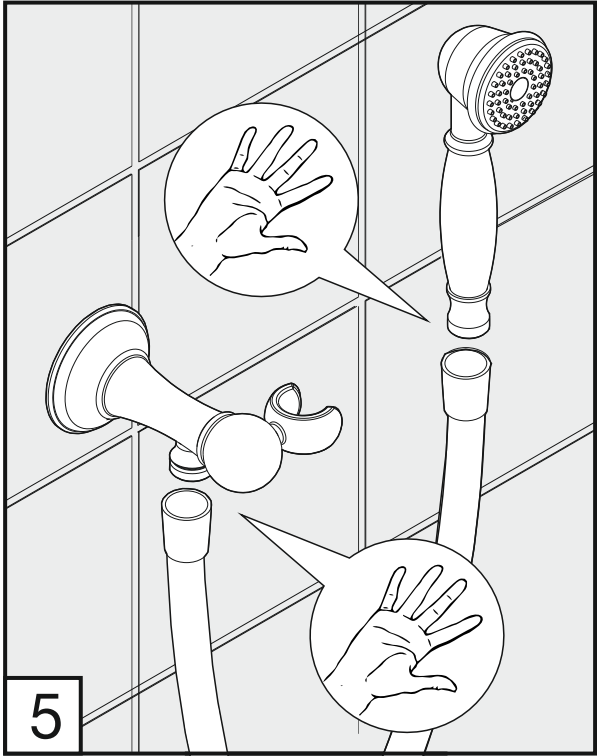
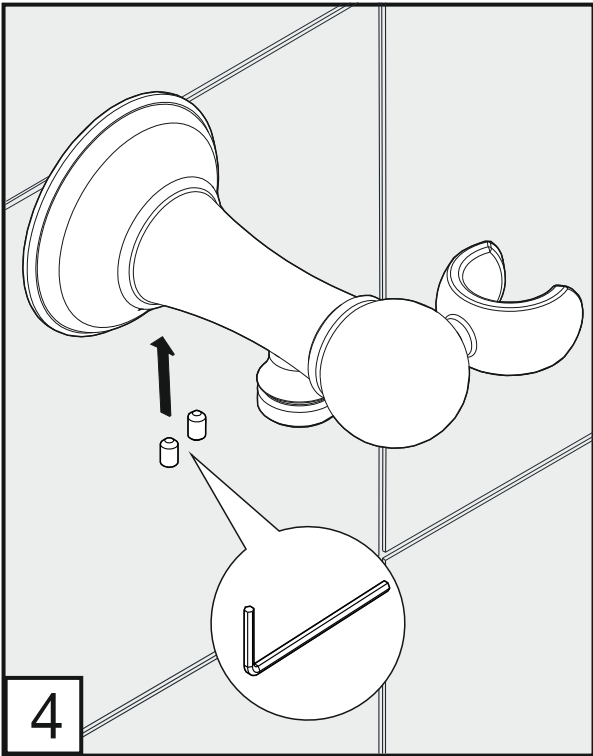
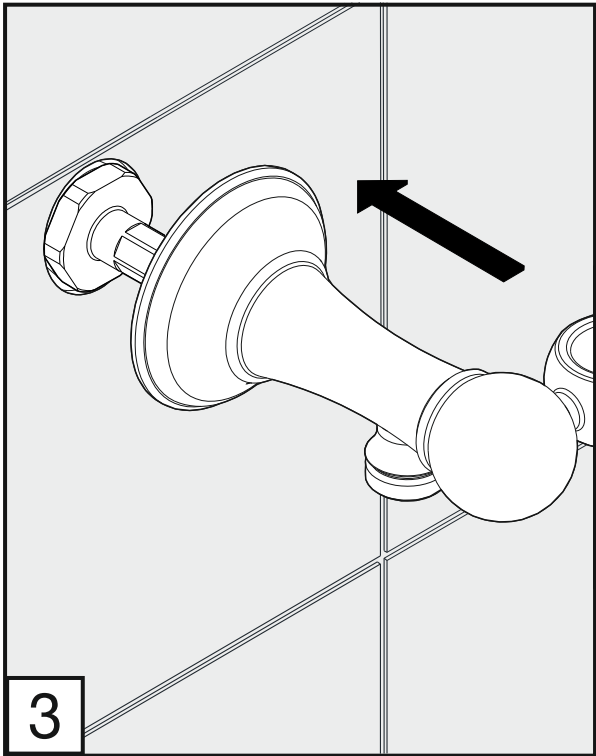
FV131/58



Revere - Holder for hand Shower - Line 58









FRANZ VIEGENER

a FV S.A. Company

4000 Porett Drive • Gurnee Illinois 60031

Phone 847-244-1234 / Fax 847-244-1259

FRANZ VIEGENER reserve the right to make revisions without notice in the design of faucets and bathroom accessories or in packaging.
FOLFV131/58 / Edition No 1 _ March, 2015.