

# FRANZ VIEGENER

---

## **Round & Square shower head**

---

*i n s t a l l a t i o n*

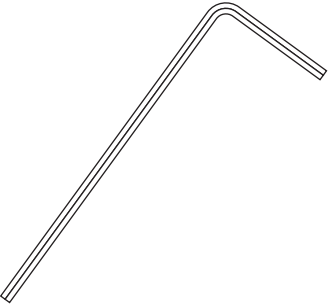
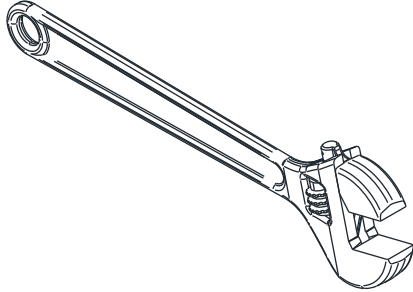
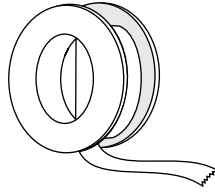


**CONGRATULATIONS !**

This product has been subjected to stringent tests for its quality, performance and finish. We guarantee years of trouble free operation. We thank you for your choice and above all for the trust you are placing in us. This trust is what motivates us to improve every day.

*Before connecting the faucet to the water supply, flush the tubing thoroughly to eliminate any residue.*

**Required installation tools.**

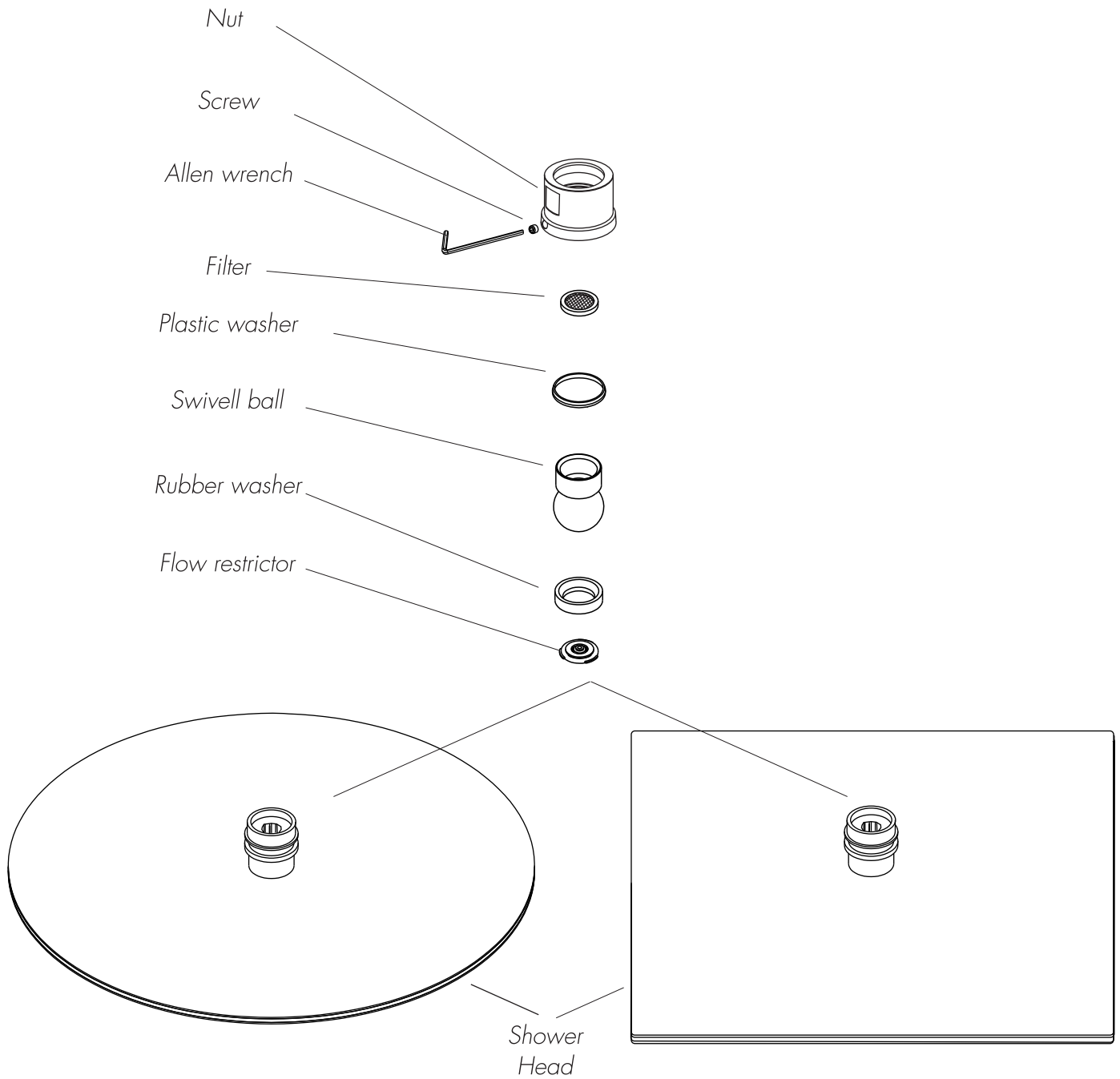
<b>Provided.</b>	<b>Not provided.</b>
 <p data-bbox="319 1243 582 1321"><i>Allen wrench (two different sizes)</i></p>	 <p data-bbox="1197 952 1348 1030"><i>Adjustable wrench</i></p>  <p data-bbox="1173 1310 1356 1344"><i>Sealant Tape</i></p>

**FV126.04.1.0**

Round Shower head  $\phi$ 300 mm

**FV126.05.1.0**

Square Shower head  $\square$  300 mm



Recommended operational pressure..... 0,5 bar - 1.5 bar

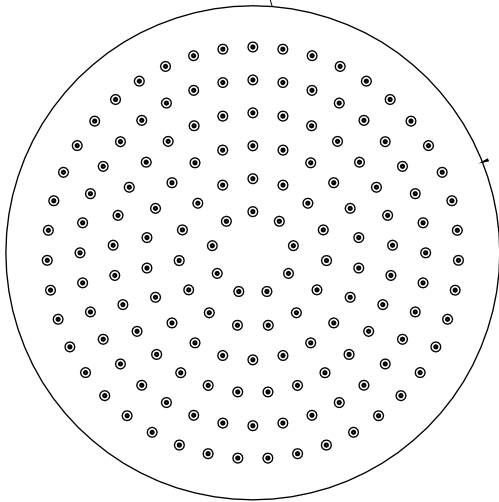
Auto Limited flow rate..... max 13 l/min

**FV126.04.1.0**

Round Shower head  $\varnothing 300$  mm



$\varnothing 300$  mm

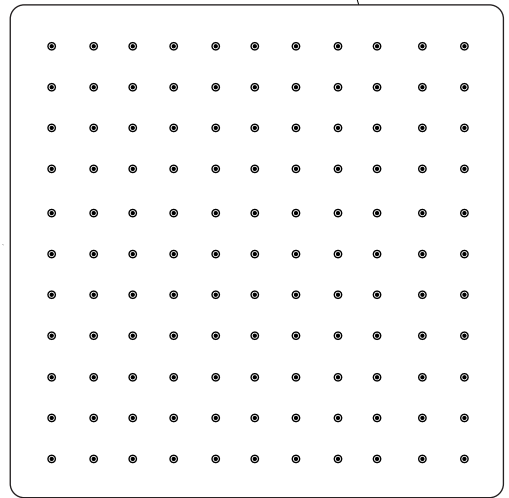


4 mm

**FV126.05.1.0**

Square Shower head  $\square 300$  mm

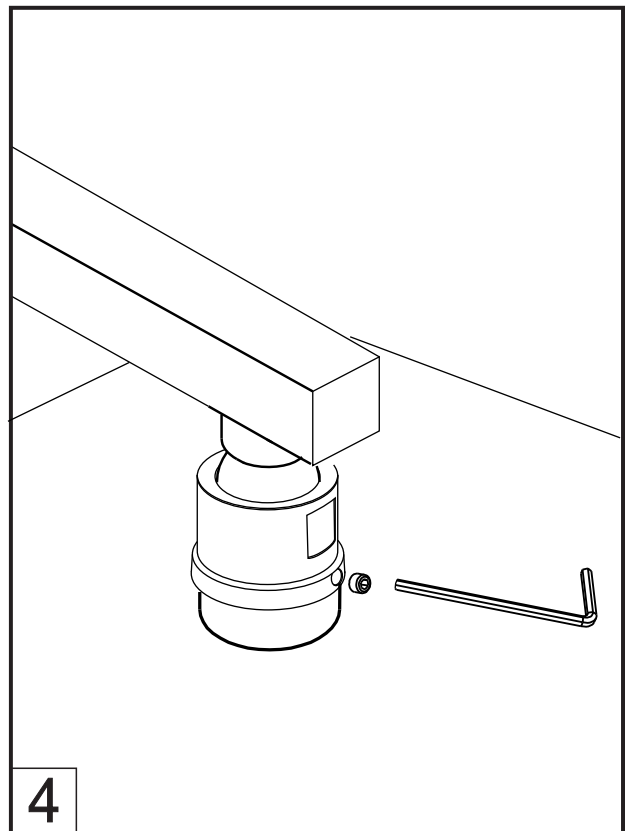
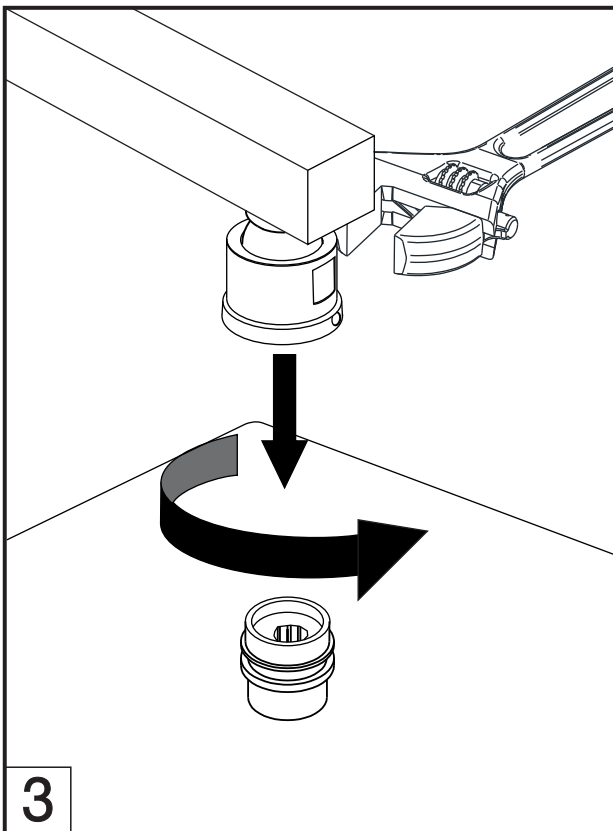
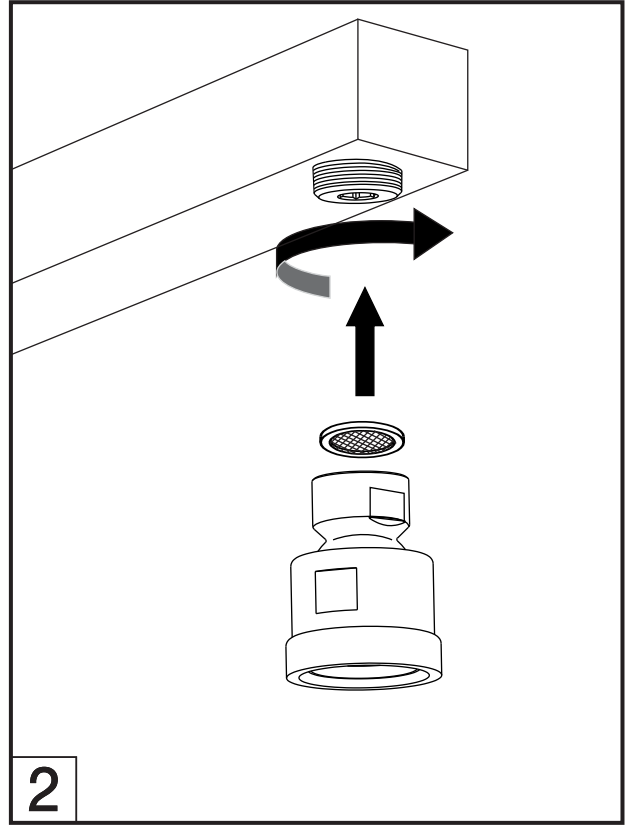
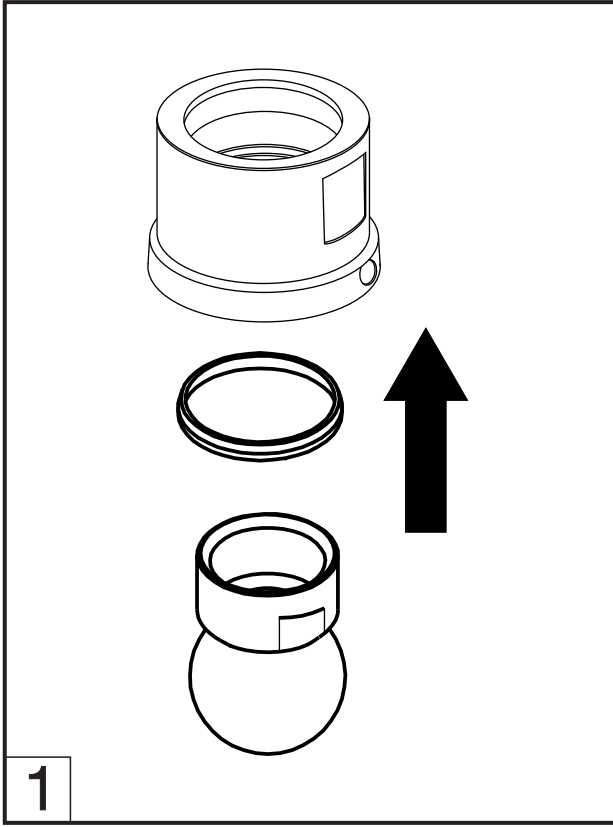
$\square 300$  mm



4 mm

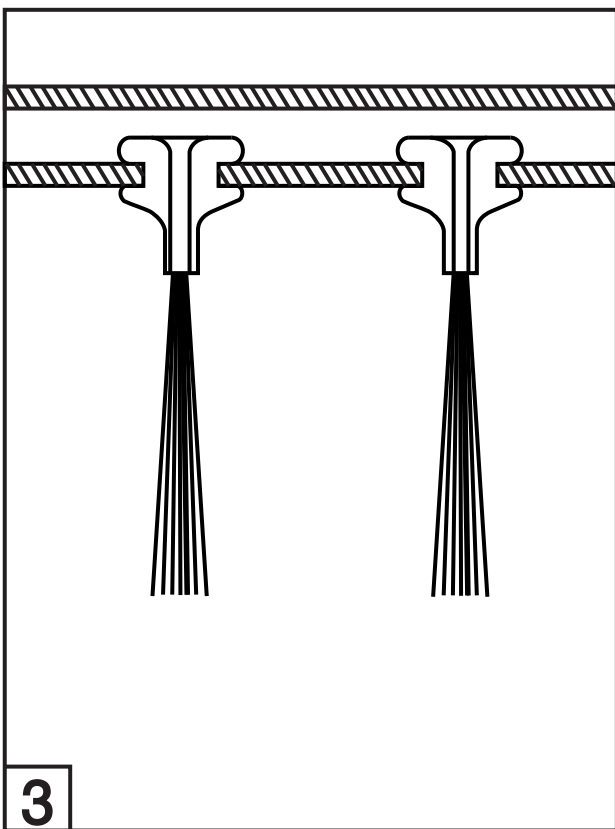
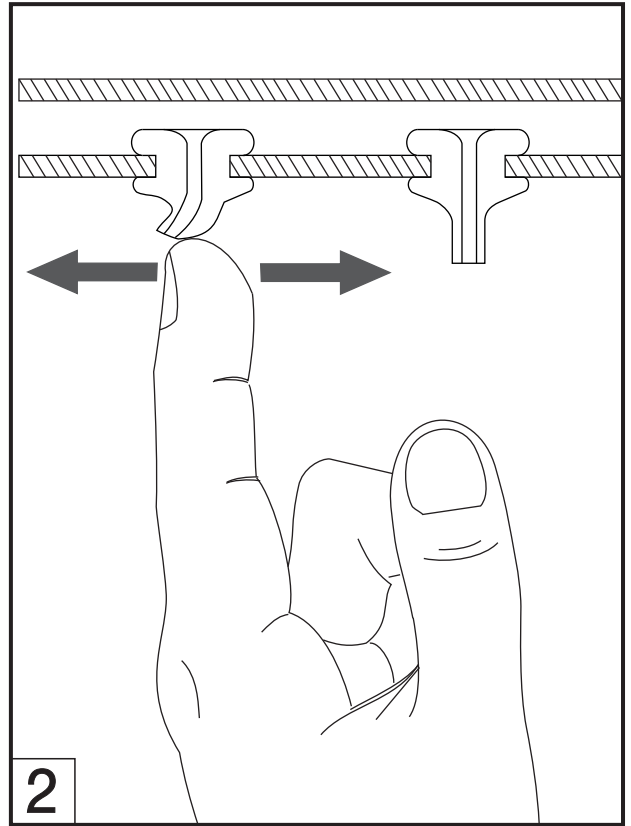
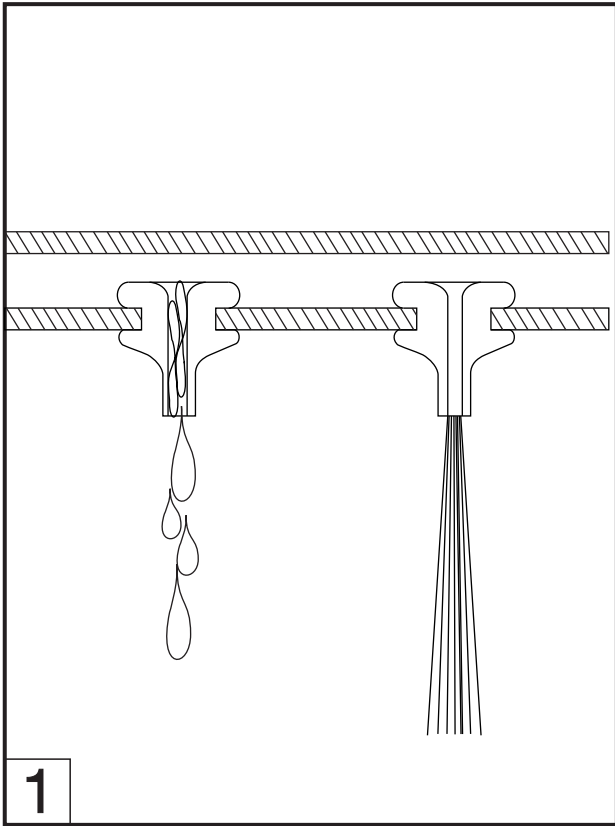
# INSTALLATION

## Shower head installation.



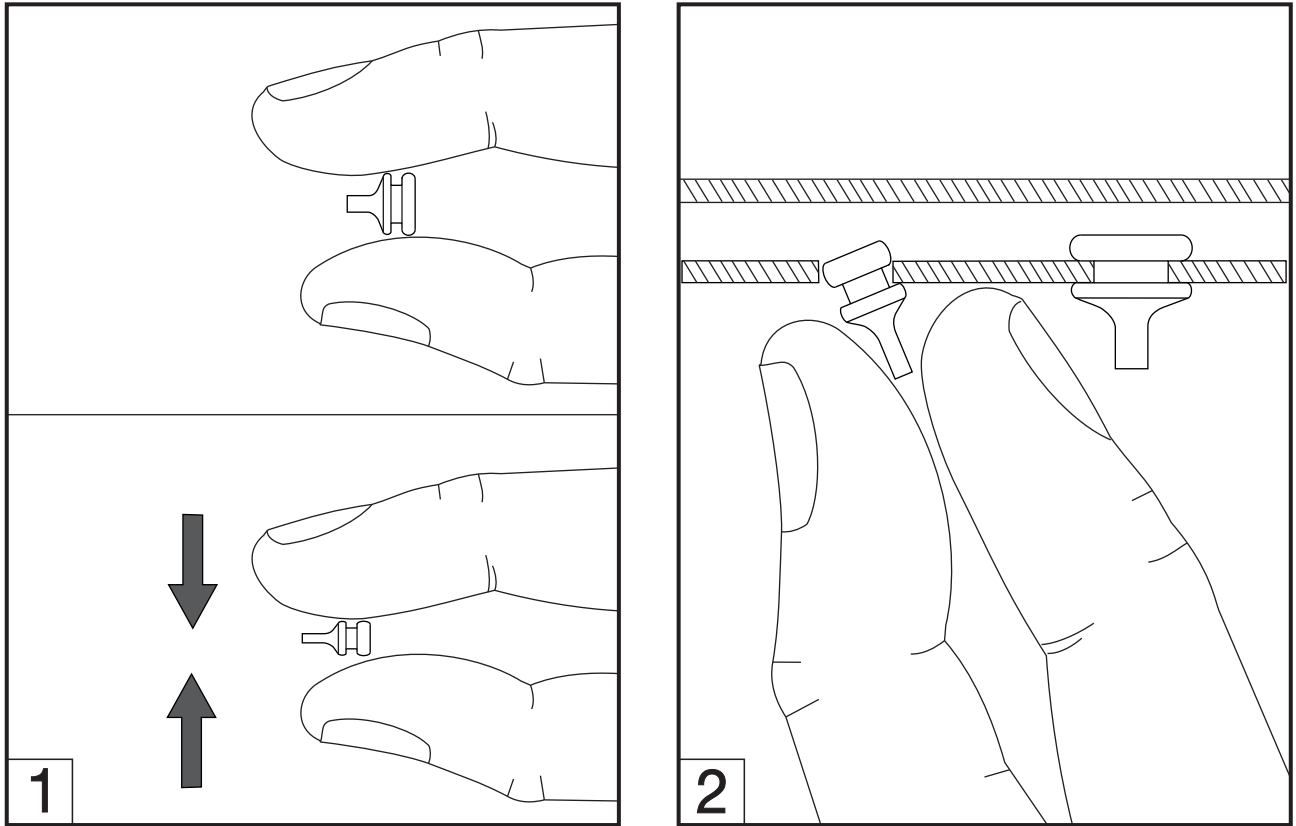
MAINTENANCE

Nozzle cleaning.

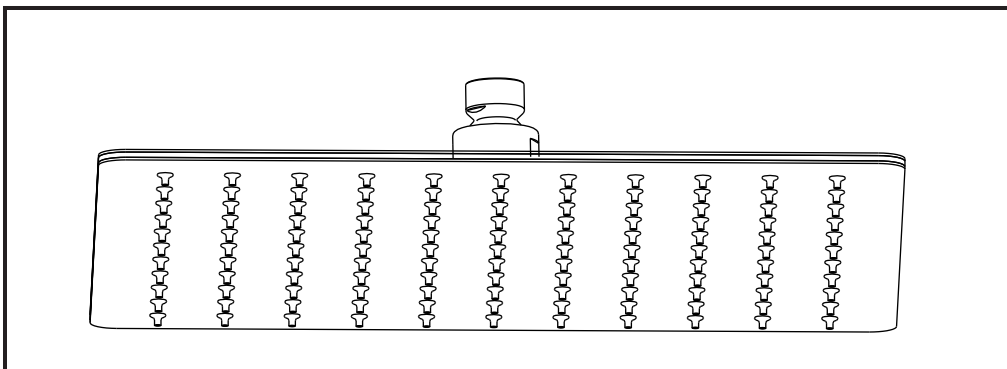
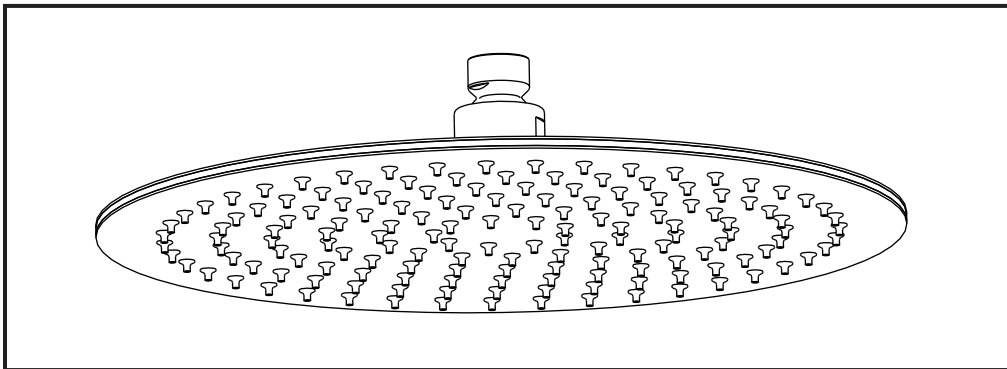


# MAINTENANCE

## Remplacement of nozzles.



*Finished installation*



Recommended operational pressure..... 0,5 bar - 1.5 bar

Auto Limited flow rate..... max 13 l/min



**FRANZ VIEGENER**

A FV S.A. company.

4000 Porett Drive Gurnee Illinois 60031  
Phone 847-244-1234 / Fax 847-244-1259

**FRANZ VIEGENER** reserve the right to make revisions without notice in the design of faucets and bathroom accessories or in packaging.  
**FOLLFV126.300** / Edition N°2 \_ December, 2015.