

**SPECIFICATIONS**



Input Voltage.....	208-240VAC Single Phase
Kilowatt Rating.....	10.0
Maximum Amperage.....	46 AMPS
Water Inlet.....	3/8" Compression
Steam Outlet.....	1/2" NPT
Drain Pan.....	3/4" NPT
Safety Valve.....	3/4" NPT
Electrical Connection.....	6-50P
 Maximum Room Size (cubic Feet).....	 240

**PRO Series Standard Equipment:**

- The only 100% networked digital technology in the industry (all other systems worldwide are old style analog).
- Lifetime Factory Warranty - 3 years in-home.
- SmartSteam - No irritating temp fluctuations - Perfect temp maintenance - Patented
- Fast Start – Steam in seconds not minutes - Patented
- Auto PowerFlush - Pressurized inner tank cleaning system, not a passive gravity drain.
- Stainless Steel drain pan.
- Stainless braided water flex connector.
- Pre-plumbed pop safety valve.
- ½" union to connect to steam line
- Constant steam at a constant rate - no cycling.
- Can be plumbed 50 ft. from the shower without upsizing the generator.
- Superior heating elements – low watt density.
- Stainless steel construction throughout.
- 208-240 volt plug-in power cord (5 ft.)
- Split tank technology enhances performance and life-span.
- 50 foot keyed water tight data link cable for control.
- Plug & play with ThermaSol Serenity light & music system.
- Drain Pan Included

**Installation Notes:**

Install this generator according to the supplied installation guide. Follow local plumbing and electrical codes. Unit must be accessible.

Generator is factory sized: L x W x H = Cubic Feet. Choose the appropriate generator. For every additional foot of ceiling height over 8 ft, use the next larger generator. Always round up when calculating the total cubic feet.

**Compatible options:**

- Thermatouch Series
- Signatouch Series
- Microtouch Series
- Signature Control Series
- Easy Start Series
- Wellness Packages
- Digital Shower Packages
- Serenity Light and Music series



**Product Specification:**

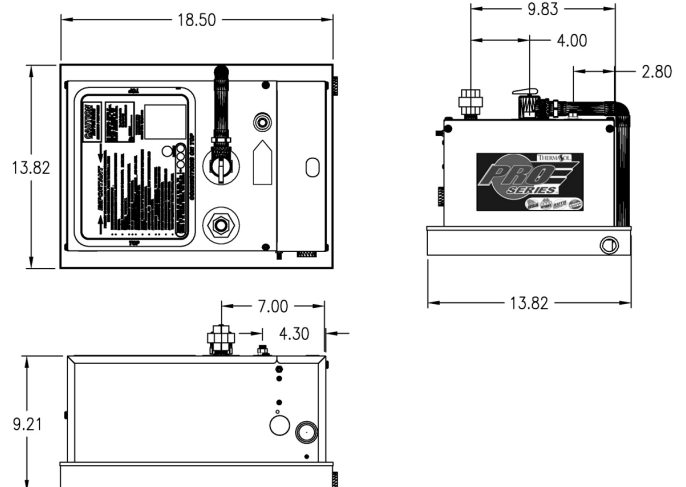
The steam generator shall be approximately 18.5" x 13.75" x 12" in dimension. The generator shall be made from stainless steel and include: Smart Steam, Fast Start, Auto PowerFlush, Split Tank, and use a 100% networked digital technology.

**Shipping Information:**

Weight.....44 lbs.  
Length.....18 in.  
Width.....23 in.  
Height.....14 in.



Product UPC Code



For any further assistance please contact ThermaSol at 800.776.0711 or [sales@thermasol.com](mailto:sales@thermasol.com)

Visit [www.thermasol.com](http://www.thermasol.com) for a complete product definition